

# SERVICE & OPERATING MANUAL

## Original Instructions

### Certified Quality



Quality System  
ISO 9001 Certified



Environmental Management System  
ISO 14001 Certified



Warren Rupp, Inc.  
A Unit of IDEX Corporation  
800 N. Main St.,  
Mansfield, Ohio 44902 USA  
Telephone (419) 524.8388  
Fax (419) 522.7867  
SANDPIPERPUMP.COM

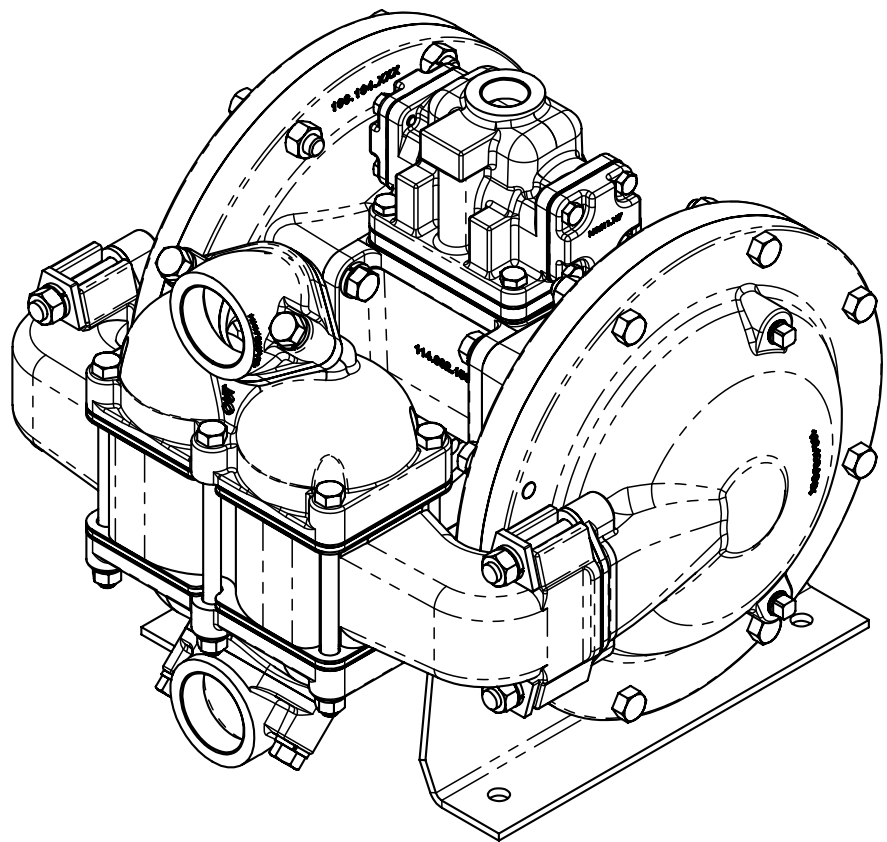


©2016 Warren Rupp, Inc.

# HDB1 1/2 / HDB40

## Heavy Duty Ball Valve

### Design Level 7



1: PUMP SPECS

2: INSTAL & OP

3: EXP VIEW

4: AIR END

5: WET END

6: OPTIONAL

7: WARRANTY

**SANDPIPER**<sup>®</sup>  
A WARREN RUPP, INC. BRAND

SANDPIPERPUMP.COM

# Safety Information

## IMPORTANT



Read the safety warnings and instructions in this manual before pump installation and start-up. Failure to comply with the recommendations stated in this manual could damage the pump and void factory warranty.



When the pump is used for materials that tend to settle out or solidify, the pump should be flushed after each use to prevent damage. In freezing temperatures the pump should be completely drained between uses.

## CAUTION



Before pump operation, inspect all fasteners for loosening caused by gasket creep. Retighten loose fasteners to prevent leakage. Follow recommended torques stated in this manual.



Nonmetallic pumps and plastic components are not UV stabilized. Ultraviolet radiation can damage these parts and negatively affect material properties. Do not expose to UV light for extended periods of time.

## RECYCLING

Many components of SANDPIPER® AODD pumps are made of recyclable materials. We encourage pump users to recycle worn out parts and pumps whenever possible, after any hazardous pumped fluids are thoroughly flushed.

## WARNING



When used for toxic or aggressive fluids, the pump should always be flushed clean prior to disassembly.



Before maintenance or repair, shut off the compressed air line, bleed the pressure, and disconnect the air line from the pump. Be certain that approved eye protection and protective clothing are worn at all times. Failure to follow these recommendations may result in serious injury or death.



Airborne particles and loud noise hazards. Wear eye and ear protection.



In the event of diaphragm rupture, pumped material may enter the air end of the pump, and be discharged into the atmosphere. If pumping a product that is hazardous or toxic, the air exhaust must be piped to an appropriate area for safe containment.



Take action to prevent static sparking. Fire or explosion can result, especially when handling flammable liquids. The pump, piping, valves, containers and other miscellaneous equipment must be properly grounded.

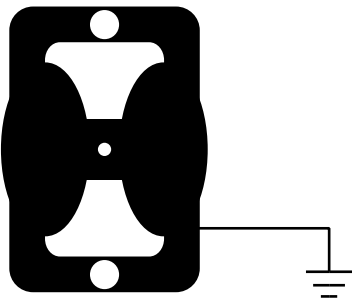


This pump is pressurized internally with air pressure during operation. Make certain that all fasteners are in good condition and are reinstalled properly during reassembly.



Use safe practices when lifting

## Grounding ATEX Pumps



ATEX compliant pumps are suitable for use in explosive atmospheres when the equipment is properly grounded in accordance with local electrical codes. Pumps equipped with electrically conductive diaphragms are suitable for the transfer of conductive or non-conductive fluids of any explosion group. When operating pumps equipped with non-conductive diaphragms that exceed the maximum permissible projected area, as defined in EN 13461-1: 2009 section 6.7.5 table 9, the following protection methods must be applied:

- Equipment is always used to transfer electrically conductive fluids or
- Explosive environment is prevented from entering the internal portions of the pump, i.e. dry running

For further guidance on ATEX applications, please consult the factory.

# Table of Contents

## **SECTION 1: PUMP SPECIFICATIONS.....1**

- Explanation of Nomenclature
- Performance
- Materials
- Dimensional Drawings

## **SECTION 2: INSTALLATION & OPERATION.....5**

- Principle of Pump Operation
- Recommended Installation Guide
- Troubleshooting Guide

## **SECTION 3: EXPLODED VIEW.....8**

- Composite Repair Parts Drawing
- Composite Repair Parts List
- Down Ported Option Drawing
- Material Codes

## **SECTION 4: AIR END.....12**

- Air Distribution Valve Assembly
- Pilot Valve Assembly

## **SECTION 5: WET END .....14**

- Diaphragm Servicing

## **SECTION 7: WARRANTY & CERTIFICATES ....15**

- Warranty
- CE Declaration of Conformity - Machinery
- ATEX Declaration of Conformity

1: PUMP SPECS

2: INSTAL & OP

3: EXP VIEW

4: AIR END

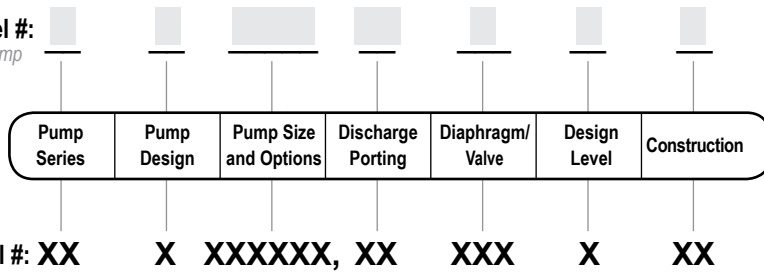
5: WET END

6: OPTIONAL

7: WARRANTY

# Explanation of Pump Nomenclature

Your Model #: \_\_\_\_\_  
 (fill in from pump nameplate)



### Pump Series

HD Heavy Duty

### Pump Design

B Solid Ball

### Pump Size & Options

1 1/2"

P1 Intrinsically Safe ATEX Compliant Pulse Output

### Discharge Porting Position

D Down Ported

S Side

### Diaphragm Check Valve Materials

B Nitrile

C FKM with PTFE

F FDA Accepted White Nitrile

GN Neoprene Backup with PTFE Overlay and PTFE Check Balls

GR Hytrel Backup w/ PTFE Overlay/PTFE Balls

GZ PTFE/Nitrile Bonded One-Piece/PTFE Balls

H EPDM with PTFE

I EPDM

N Neoprene

R Hytrel

S Santoprene

U Santoprene with PTFE

V FKM

### Design Level

7

### Construction

A Aluminum Wetted, Aluminum Air

CI Cast Iron Wetted, Aluminum Air

II Cast Iron Wetted, Cast Iron Air

SI Stainless Steel Wetted, Cast Iron Air

SS Stainless Steel Wetted, Aluminum Air

HC Alloy-C Wetted, Aluminum Air

HI Alloy-C Wetted, Cast Iron Air

Your Serial #: (fill in from pump nameplate) \_\_\_\_\_

## ATEX Detail

	ATEX Detail	Construction	Options
	II 1G c T5 II 1D c T100°C I M1 c I M2 c	II, SI, HI	N/A
	II 2G c T5 II 2D c T100°C	A, CI, II, HI, HC, SI, SS	N/A

# Performance

## HDB1 1/2/HDB40

### SUCTION/DISCHARGE PORT SIZE

- HDB1 1/2: 1 1/2 NPT
- HDB40: 1 1/2 BSP (Tapered)

### CAPACITY

- 0 to 105 gallons per minute (0 to 397 liters per minute)

### AIR DISTRIBUTION VALVE

- No-lube, no-stall design

### SOLIDS-HANDLING

- Up to .25 in. (6.3mm)

### HEADS UP TO

- 125 psi or 289 ft. of water (8.8 Kg/cm<sup>2</sup> or 88 meters)

### MAXIMUM OPERATING PRESSURE

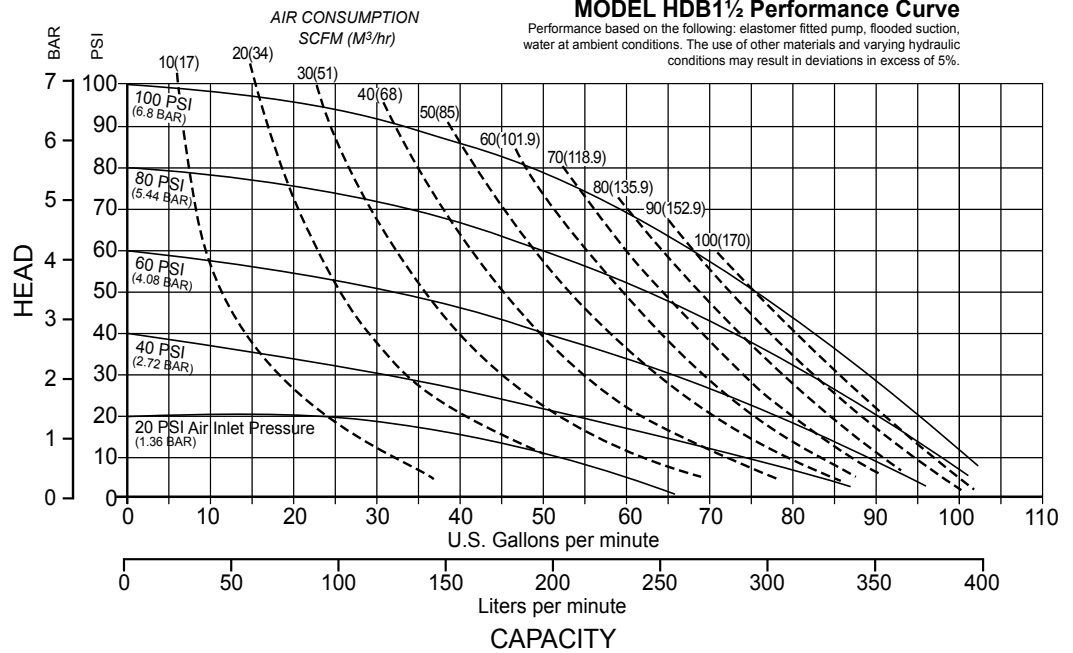
- 125 psi (8.6 bar)

### DISPLACEMENT/STROKE

- .37 Gallon / 1.4 liter

### SHIPPING WEIGHT

- Aluminum 75 lbs. (34kg)
- Cast Iron 104 lbs. (47kg)
- Stainless Steel 107 lbs. (48kg)



1: PUMP SPECS

# Materials

Material Profile:	Operating Temperatures:	
	Max.	Min.
<b>Conductive Acetal:</b> Tough, impact resistant, ductile. Good abrasion resistance and low friction surface. Generally inert, with good chemical resistance except for strong acids and oxidizing agents.	190°F 88°C	-20°F -29°C
<b>EPDM:</b> Shows very good water and chemical resistance. Has poor resistance to oils and solvents, but is fair in ketones and alcohols.	280°F 138°C	-40°F -40°C
<b>FKM:</b> (Fluorocarbon) Shows good resistance to a wide range of oils and solvents; especially all aliphatic, aromatic and halogenated hydrocarbons, acids, animal and vegetable oils. Hot water or hot aqueous solutions (over 70°F(21°C)) will attack FKM.	350°F 177°C	-40°F -40°C
<b>Hytrel®:</b> Good on acids, bases, amines and glycols at room temperatures only.	220°F 104°C	-20°F -29°C
<b>Neoprene:</b> All purpose. Resistance to vegetable oils. Generally not affected by moderate chemicals, fats, greases and many oils and solvents. Generally attacked by strong oxidizing acids, ketones, esters and nitro hydrocarbons and chlorinated aromatic hydrocarbons.	200°F 93°C	-10°F -23°C
<b>Nitrile:</b> General purpose, oil-resistant. Shows good solvent, oil, water and hydraulic fluid resistance. Should not be used with highly polar solvents like acetone and MEK, ozone, chlorinated hydrocarbons and nitro hydrocarbons.	190°F 88°C	-10°F -23°C
<b>Nylon:</b> 6/6 High strength and toughness over a wide temperature range. Moderate to good resistance to fuels, oils and chemicals.	180°F 82°C	32°F 0°C

**Ambient temperature range:** -20°C to +40°C  
**Process temperature range:** -20°C to +80°C for models rated as category 1 equipment  
 -20°C to +100°C for models rated as category 2 equipment

In addition, the ambient temperature range and the process temperature range do not exceed the operating temperature range of the applied non-metallic parts as listed in the manuals of the pumps.

<b>Polypropylene:</b> A thermoplastic polymer. Moderate tensile and flex strength. Resists strong acids and alkali. Attacked by chlorine, fuming nitric acid and other strong oxidizing agents.	180°F 82°C	32°F 0°C
<b>PVDF:</b> (Polyvinylidene Fluoride) A durable fluoroplastic with excellent chemical resistance. Excellent for UV applications. High tensile strength and impact resistance.	250°F 121°C	0°F -18°C
<b>Santoprene®:</b> Injection molded thermoplastic elastomer with no fabric layer. Long mechanical flex life. Excellent abrasion resistance.	275°F 135°C	-40°F -40°C
<b>UHMW PE:</b> A thermoplastic that is highly resistant to a broad range of chemicals. Exhibits outstanding abrasion and impact resistance, along with environmental stress-cracking resistance.	180°F 82°C	-35°F -37°C
<b>Urethane:</b> Shows good resistance to abrasives. Has poor resistance to most solvents and oils.	150°F 66°C	32°F 0°C
<b>Virgin PTFE:</b> (PFA/TFE) Chemically inert, virtually impervious. Very few chemicals are known to chemically react with PTFE; molten alkali metals, turbulent liquid or gaseous fluorine and a few fluoro-chemicals such as chlorine trifluoride or oxygen difluoride which readily liberate free fluorine at elevated temperatures.	220°F 104°C	-35°F -37°C

*Maximum and Minimum Temperatures are the limits for which these materials can be operated. Temperatures coupled with pressure affect the longevity of diaphragm pump components. Maximum life should not be expected at the extreme limits of the temperature ranges.*

Metals:
<b>Alloy C:</b> Equal to ASTM494 CW-12M-1 specification for nickel and nickel alloy.
<b>Stainless Steel:</b> Equal to or exceeding ASTM specification A743 CF-8M for corrosion resistant iron chromium, iron chromium nickel and nickel based alloy castings for general applications. Commonly referred to as 316 Stainless Steel in the pump industry.

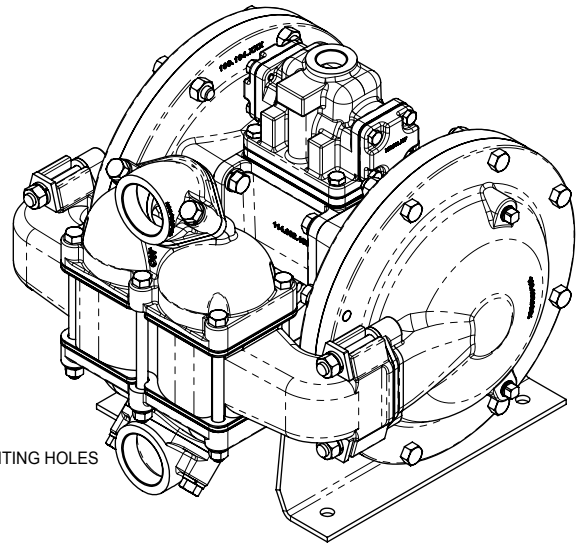
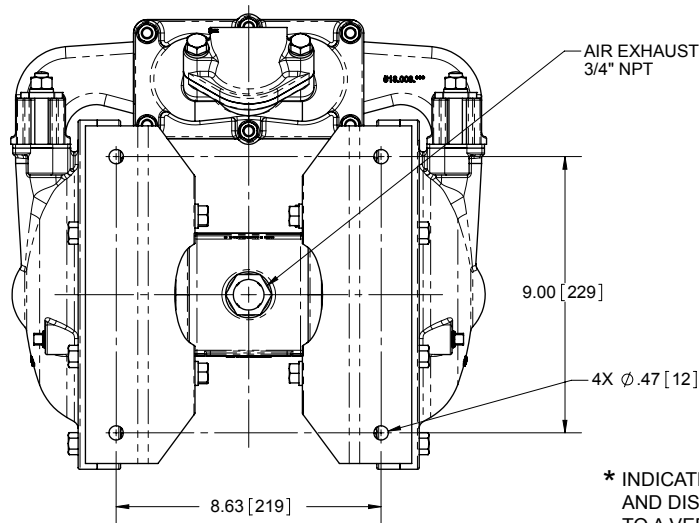
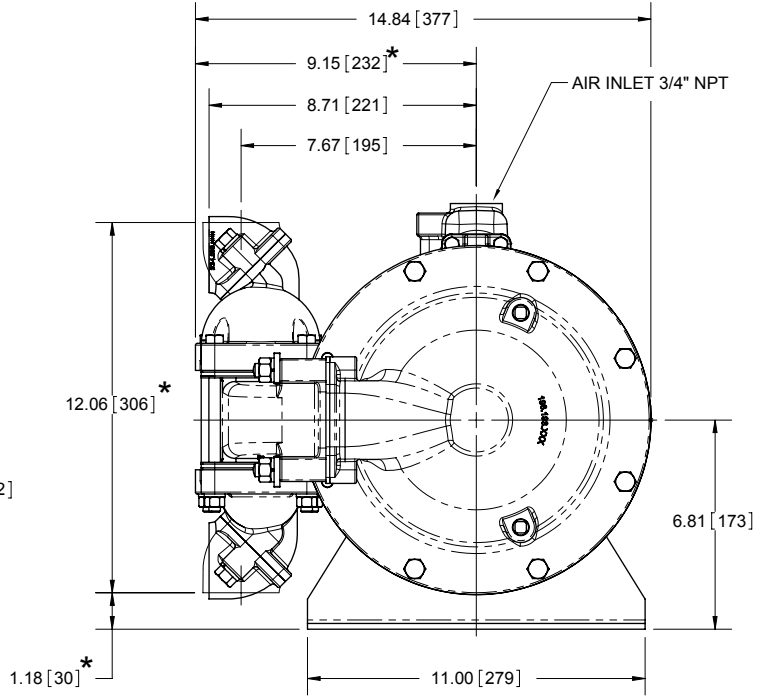
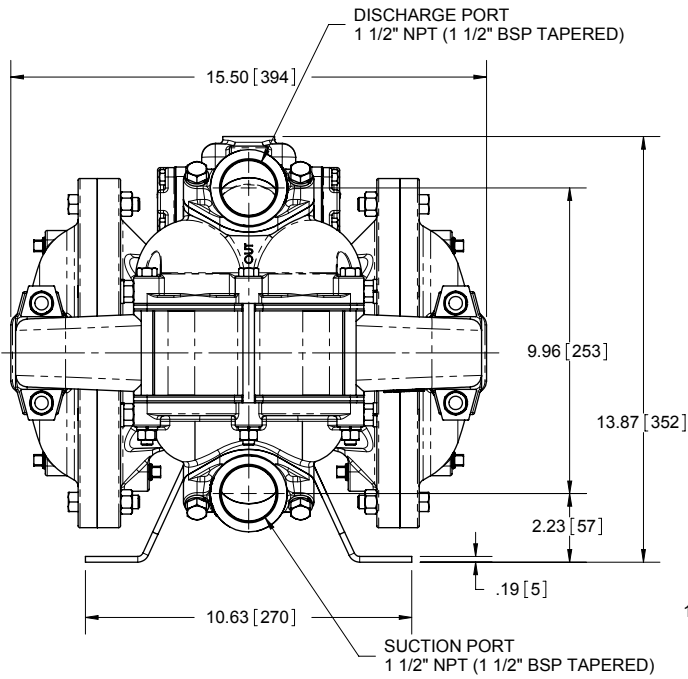
For specific applications, always consult the Chemical Resistance Chart.

# Dimensional Drawings

## HDB1 1/2 & HDB40, Side Ported

Dimensions are ± .13" (3mm). Figures in parenthesis = millimeters

1: PUMP SPECS



\* INDICATES DIMENSIONS WITH SUCTION AND DISCHARGE PORTS ROTATED 180° TO A VERTICAL POSITION

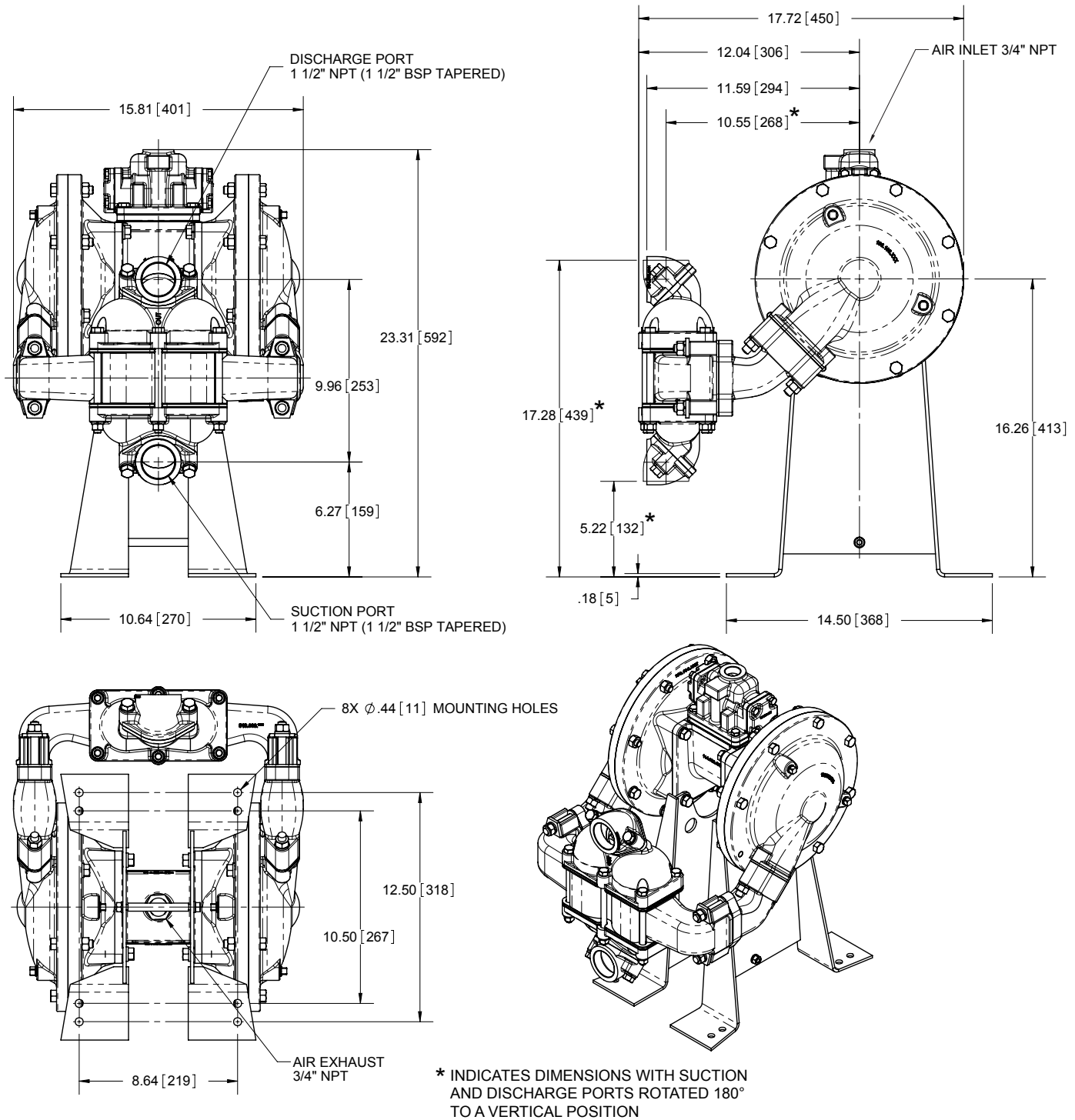
**Model HDB1½-A features 1½" NPT threaded connections.**  
**Model HDB40-A features 1½" BSP Tapered connections.**



# Dimensional Drawings

## HDB1 1/2 & HDB40, Down Ported

Dimensions are ± .13" (3mm). Figures in parenthesis = millimeters

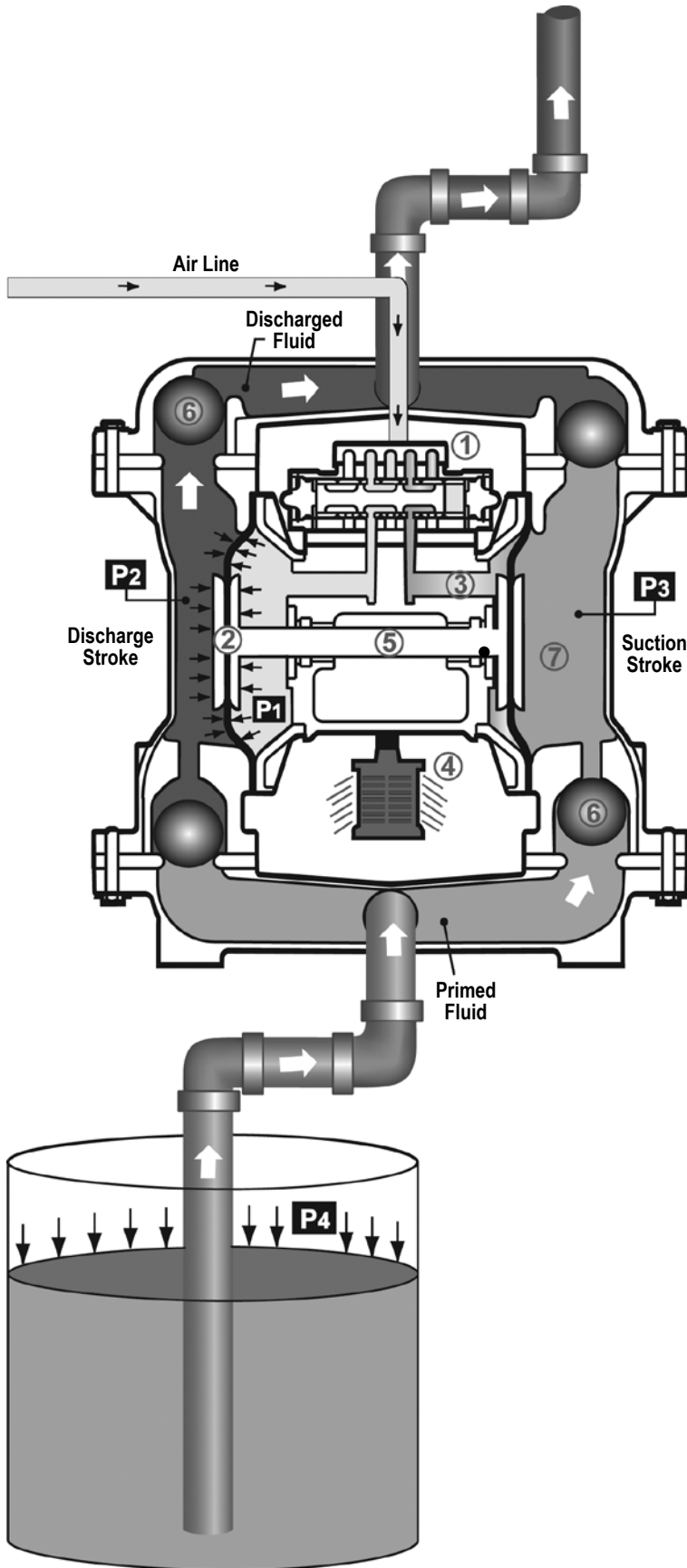


2: INSTAL & OP

**Model HDB1½-A features 1½" NPT threaded connections.**  
**Model HDB40-A features 1½" BSP Tapered connections.**

# Principle of Pump Operation

2: INSTAL & OP



Air-Operated Double Diaphragm (AODD) pumps are powered by compressed air or nitrogen.

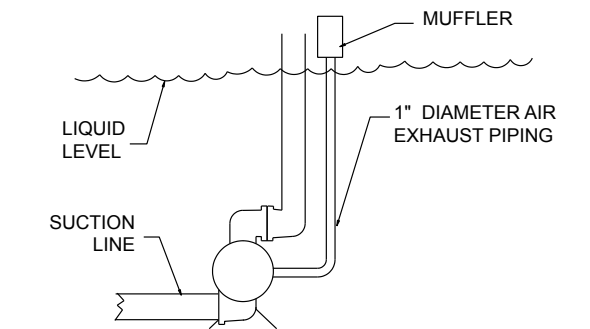
The main directional (air) control valve ① distributes compressed air to an air chamber, exerting uniform pressure over the inner surface of the diaphragm ②. At the same time, the exhausting air ③ from behind the opposite diaphragm is directed through the air valve assembly(s) to an exhaust port ④.

As inner chamber pressure (P1) exceeds liquid chamber pressure (P2), the rod ⑤ connected diaphragms shift together creating discharge on one side and suction on the opposite side. The discharged and primed liquid's directions are controlled by the check valves (ball or flap)⑥ orientation.

The pump primes as a result of the suction stroke. The suction stroke lowers the chamber pressure (P3) increasing the chamber volume. This results in a pressure differential necessary for atmospheric pressure (P4) to push the fluid through the suction piping and across the suction side check valve and into the outer fluid chamber ⑦.

Suction (side) stroking also initiates the reciprocating (shifting, stroking or cycling) action of the pump. The suction diaphragm's movement is mechanically pulled through its stroke. The diaphragm's inner plate makes contact with an actuator plunger aligned to shift the pilot signaling valve. Once actuated, the pilot valve sends a pressure signal to the opposite end of the main directional air valve, redirecting the compressed air to the opposite inner chamber.

## SUBMERGED ILLUSTRATION



Pump can be submerged if the pump materials of construction are compatible with the liquid being pumped. The air exhaust must be piped above the liquid level. When the pumped product source is at a higher level than the pump (flooded suction condition), pipe the exhaust higher than the product source to prevent siphoning spills.

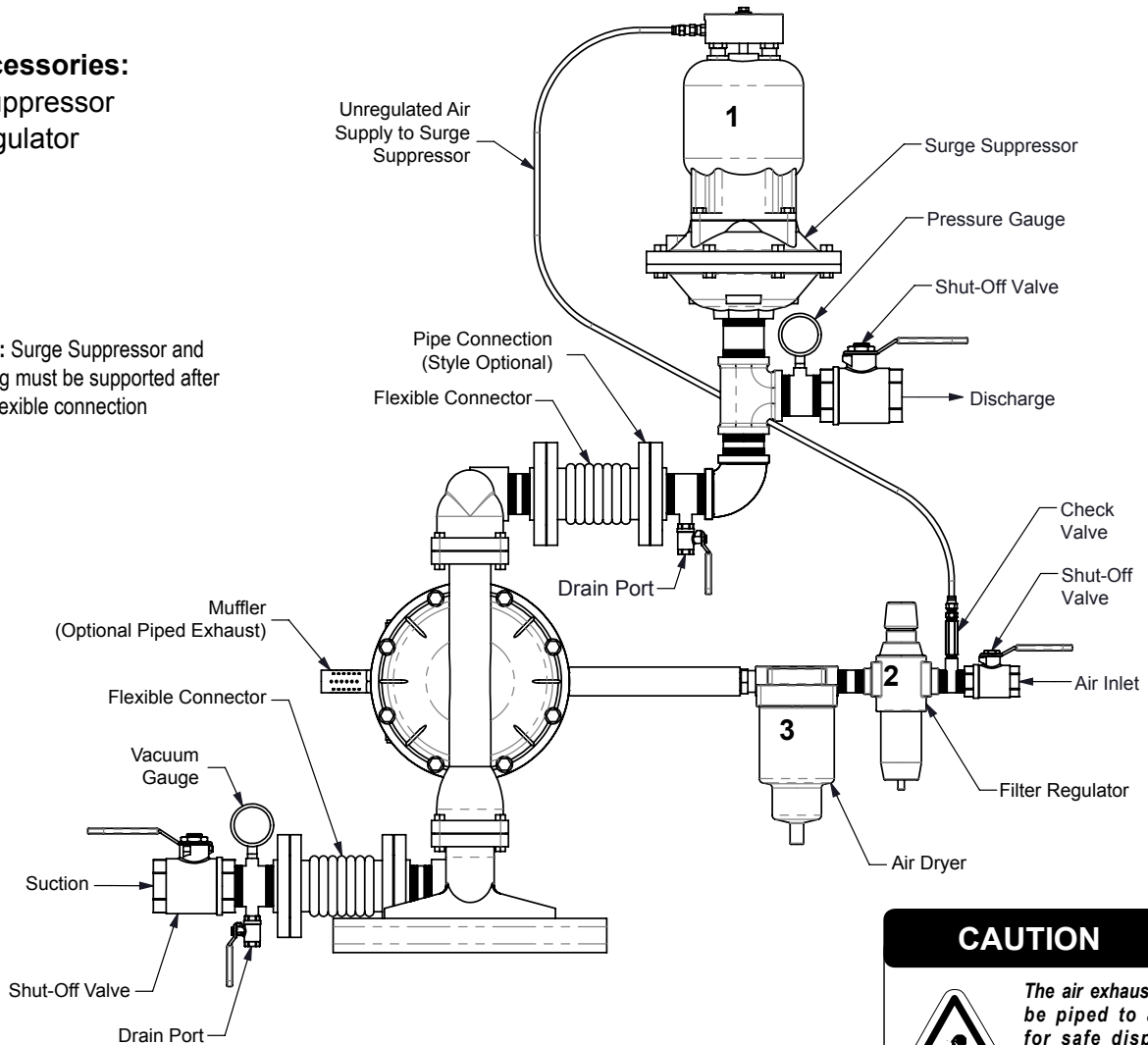


# Recommended Installation Guide

## Available Accessories:

1. Surge Suppressor
2. Filter/Regulator
3. Air Dryer

**Note:** Surge Suppressor and Piping must be supported after the flexible connection



**CAUTION**

*The air exhaust should be piped to an area for safe disposition of the product being pumped, in the event of a diaphragm failure.*

### Installation And Start-Up

Locate the pump as close to the product being pumped as possible. Keep the suction line length and number of fittings to a minimum. Do not reduce the suction line diameter.

### Air Supply

Connect the pump air inlet to an air supply with sufficient capacity and pressure to achieve desired performance. A pressure regulating valve should be installed to insure air supply pressure does not exceed recommended limits.

### Air Valve Lubrication

The air distribution system is designed to operate **WITHOUT** lubrication. This is the standard mode of operation. If lubrication is desired, install an air line lubricator set to deliver one drop of SAE 10 non-detergent oil for every 20 SCFM (9.4 liters/sec.) of air the pump consumes. Consult the Performance Curve to determine air consumption.

### Air Line Moisture

Water in the compressed air supply may cause icing or freezing of the exhaust air, causing the pump to cycle erratically or stop operating. Water in the air supply can be reduced by using a point-of-use air dryer.

### Air Inlet And Priming

To start the pump, slightly open the air shut-off valve. After the pump primes, the air valve can be opened to increase air flow as desired. If opening the valve increases cycling rate, but does not increase the rate of flow, cavitation has occurred. The valve should be closed slightly to obtain the most efficient air flow to pump flow ratio.

# Troubleshooting Guide

2: INSTAL & OP

Symptom:	Potential Cause(s):	Recommendation(s):
<b>Pump Cycles Once</b>	Deadhead (system pressure meets or exceeds air supply pressure).	Increase the inlet air pressure to the pump. Pump is designed for 1:1 pressure ratio at zero flow. (Does not apply to high pressure 2:1 units).
	Air valve or intermediate gaskets installed incorrectly.	Install gaskets with holes properly aligned.
	Bent or missing actuator plunger.	Remove pilot valve and inspect actuator plungers.
<b>Pump Will Not Operate / Cycle</b>	Pump is over lubricated.	Set lubricator on lowest possible setting or remove. Units are designed for lube free operation.
	Lack of air (line size, PSI, CFM).	Check the air line size and length, compressor capacity (HP vs. cfm required).
	Check air distribution system.	Disassemble and inspect main air distribution valve, pilot valve and pilot valve actuators.
	Discharge line is blocked or clogged manifolds.	Check for inadvertently closed discharge line valves. Clean discharge manifolds/piping.
	Deadhead (system pressure meets or exceeds air supply pressure).	Increase the inlet air pressure to the pump. Pump is designed for 1:1 pressure ratio at zero flow. (Does not apply to high pressure 2:1 units).
	Blocked air exhaust muffler.	Remove muffler screen, clean or de-ice, and re-install.
	Pumped fluid in air exhaust muffler.	Disassemble pump chambers. Inspect for diaphragm rupture or loose diaphragm plate assembly.
	Pump chamber is blocked.	Disassemble and inspect wetted chambers. Remove or flush any obstructions.
<b>Pump Cycles and Will Not Prime or No Flow</b>	Cavitation on suction side.	Check suction condition (move pump closer to product).
	Check valve obstructed. Valve ball(s) not seating properly or sticking.	Disassemble the wet end of the pump and manually dislodge obstruction in the check valve pocket. Clean out around valve ball cage and valve seat area. Replace valve ball or valve seat if damaged. Use heavier valve ball material.
	Valve ball(s) missing (pushed into chamber or manifold).	Worn valve ball or valve seat. Worn fingers in valve ball cage (replace part). Check Chemical Resistance Guide for compatibility.
	Valve ball(s) / seat(s) damaged or attacked by product.	Check Chemical Resistance Guide for compatibility.
	Check valve and/or seat is worn or needs adjusting.	Inspect check valves and seats for wear and proper setting. Replace if necessary.
	Suction line is blocked.	Remove or flush obstruction. Check and clear all suction screens or strainers.
	Excessive suction lift.	For lifts exceeding 20' of liquid, filling the chambers with liquid will prime the pump in most cases.
	Suction side air leakage or air in product.	Visually inspect all suction-side gaskets and pipe connections.
<b>Pump Cycles Running Sluggish / Stalling, Flow Unsatisfactory</b>	Pumped fluid in air exhaust muffler.	Disassemble pump chambers. Inspect for diaphragm rupture or loose diaphragm plate assembly.
	Over lubrication.	Set lubricator on lowest possible setting or remove. Units are designed for lube free operation.
	Icing.	Remove muffler screen, de-ice, and re-install. Install a point of use air drier.
	Clogged manifolds.	Clean manifolds to allow proper air flow.
	Deadhead (system pressure meets or exceeds air supply pressure).	Increase the inlet air pressure to the pump. Pump is designed for 1:1 pressure ratio at zero flow. (Does not apply to high pressure 2:1 units).
	Cavitation on suction side.	Check suction (move pump closer to product).
	Lack of air (line size, PSI, CFM).	Check the air line size, length, compressor capacity.
	Excessive suction lift.	For lifts exceeding 20' of liquid, filling the chambers with liquid will prime the pump in most cases.
	Air supply pressure or volume exceeds system hd.	Decrease inlet air (press. and vol.) to the pump. Pump is cavitating the fluid by fast cycling.
	Undersized suction line.	Meet or exceed pump connections.
	Restrictive or undersized air line.	Install a larger air line and connection.
	Suction side air leakage or air in product.	Visually inspect all suction-side gaskets and pipe connections.
	Suction line is blocked.	Remove or flush obstruction. Check and clear all suction screens or strainers.
	Pumped fluid in air exhaust muffler.	Disassemble pump chambers. Inspect for diaphragm rupture or loose diaphragm plate assembly.
	<b>Product Leaking Through Exhaust</b>	Check valve obstructed.
Check valve and/or seat is worn or needs adjusting.		Inspect check valves and seats for wear and proper setting. Replace if necessary.
Entrained air or vapor lock in chamber(s).		Purge chambers through tapped chamber vent plugs. Purging the chambers of air can be dangerous.
<b>Premature Diaphragm Failure</b>	Diaphragm failure, or diaphragm plates loose.	Replace diaphragms, check for damage and ensure diaphragm plates are tight.
	Diaphragm stretched around center hole or bolt holes.	Check for excessive inlet pressure or air pressure. Consult Chemical Resistance Chart for compatibility with products, cleaners, temperature limitations and lubrication.
	Cavitation.	Enlarge pipe diameter on suction side of pump.
	Excessive flooded suction pressure.	Move pump closer to product. Raise pump/place pump on top of tank to reduce inlet pressure. Install Back pressure device (Tech bulletin 41r). Add accumulation tank or pulsation dampener.
<b>Unbalanced Cycling</b>	Misapplication (chemical/physical incompatibility).	Consult Chemical Resistance Chart for compatibility with products, cleaners, temperature limitations and lubrication.
	Incorrect diaphragm plates or plates on backwards, installed incorrectly or worn.	Check Operating Manual to check for correct part and installation. Ensure outer plates have not been worn to a sharp edge.
	Excessive suction lift.	For lifts exceeding 20' of liquid, filling the chambers with liquid will prime the pump in most cases.
	Undersized suction line.	Meet or exceed pump connections.
	Pumped fluid in air exhaust muffler.	Disassemble pump chambers. Inspect for diaphragm rupture or loose diaphragm plate assembly.
	Suction side air leakage or air in product.	Visually inspect all suction-side gaskets and pipe connections.
	Check valve obstructed.	Disassemble the wet end of the pump and manually dislodge obstruction in the check valve pocket.
Check valve and/or seat is worn or needs adjusting.	Inspect check valves and seats for wear and proper setting. Replace if necessary.	
<b>Unbalanced Cycling</b>	Entrained air or vapor lock in chamber(s).	Purge chambers through tapped chamber vent plugs.

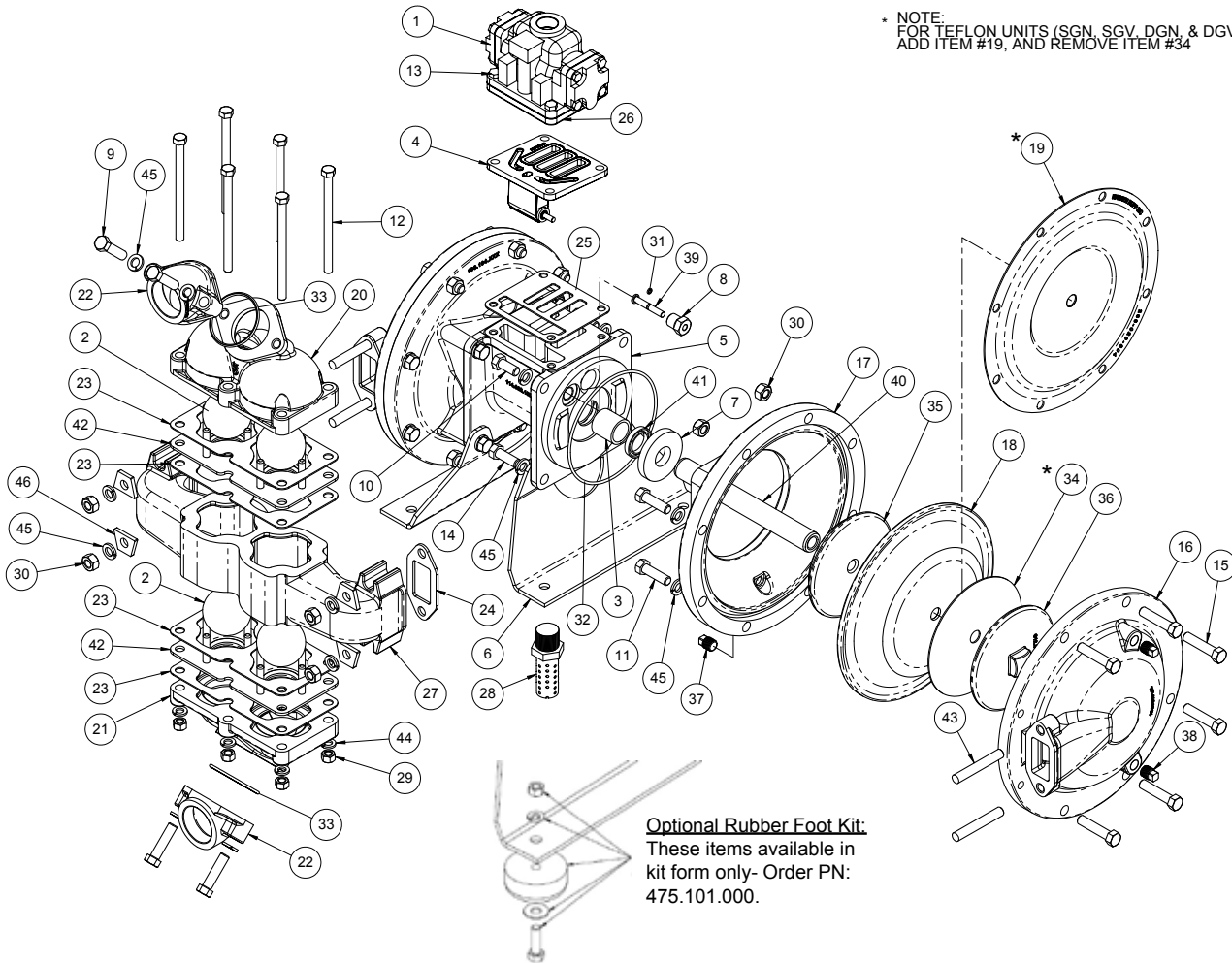
For additional troubleshooting tips contact After Sales Support at [service.warrenrupp@idexcorp.com](mailto:service.warrenrupp@idexcorp.com) or 419-524-8388

# Composite Repair Parts Drawing - Side Ported



Optional Angle Valve Kit  
 These items available in  
 kit form only- Order PN:  
 475.102.000.

\* NOTE:  
 FOR TEFLON UNITS (SGN, SGV, DGN, & DGV)  
 ADD ITEM #19, AND REMOVE ITEM #34



Optional Rubber Foot Kit  
 These items available in  
 kit form only- Order PN:  
 475.101.000.

3: EXP VIEW

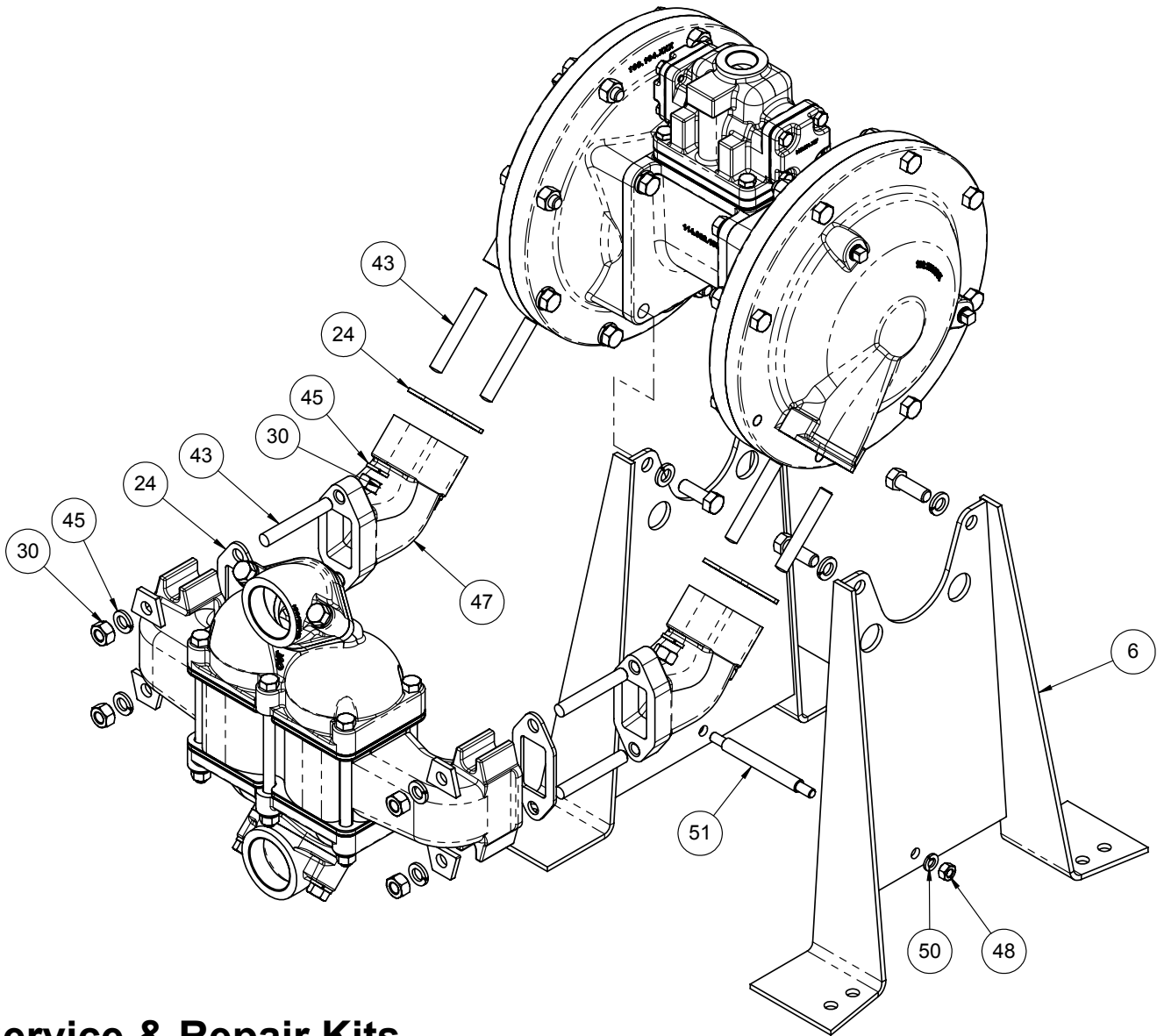
## Service & Repair Kits

- 476.247.000 Air End Kit**  
Sleeve and Spool Set, O-rings, Bumpers, U-Cup Seals, and Gaskets.
- 476.244.354 Wet End Kit**  
Santoprene Diaphragms, Santoprene Balls, Santoprene Wear Pads, Conductive PTFE Seat Gaskets, Fiber Manifold Gaskets, Nitrile O-rings
- 476.244.360 Wet End Kit**  
Nitrile Diaphragms, Weighted Nitrile Balls, Conductive Nitrile Seat Gaskets, Fabric Manifold Gaskets, Nitrile O-Rings, Nitrile Wear Pads
- 476.244.363 Wet End Kit**  
FKM Diaphragms, FKM Balls, Conductive PTFE Seat Gaskets, PTFE Manifold Gaskets, PTFE Encapsulated O-rings, FKM Wear Pads
- 476.244.364 Wet End Kit**  
EPDM Diaphragms, EPDM Balls, Conductive PTFE Seat Gaskets, Fabric Manifold Gaskets, Nitrile O-rings, EPDM Wear Pads

- 476.244.365 Wet End Kit**  
Neoprene Diaphragms, Weighted Neoprene Balls, Conductive Neoprene Seat Gaskets, Fabric Manifold Gaskets, Nitrile O-rings, Neoprene Wear Pads
- 476.244.644 Wet End Kit**  
Santoprene Diaphragms, PTFE Balls, Conductive PTFE Seat Gaskets, PTFE Manifold Gaskets, PTFE Encapsulated O-rings, EPDM Wear Pads
- 476.261.635 Wet End Kit**  
Neoprene Backup Diaphragms, PTFE Overlay Diaphragms, PTFE Balls, Conductive PTFE Seat Gaskets, PTFE Manifold Gaskets, PTFE Encapsulated O-rings
- 476.036.659 Wet End Kit**  
PTFE One-Piece Diaphragms, PTFE Balls, Conductive PTFE Seat Gaskets, PTFE Manifold Gaskets, PTFE Encapsulated O-rings

# Composite Repair Parts Drawing - Down Ported

3: EXP VIEW



## Service & Repair Kits

### Optional Down Ported Conversion Kits:

- 475.022.156 Down Ported Conversion Kit\*
- 475.022.010 Down Ported Conversion Kit\*
- 475.022.110 Down Ported Conversion Kit\*
- 475.022.112 Down Ported Conversion Kit\*

\*Conversion Kit Includes the Following (items 6, 24, 30, 43, 45, 47, 48, 50, 51)

# Composite Repair Parts List

Item	Part Number	Description	Qty.	Item	Part Number	Description	Qty.
①	031.019.156	Assembly, Main Air Valve (Aluminum Center)	1	②5	360.041.379	Gasket, Pilot Valve	1
	031.019.010	Assembly, Main Air Valve (Cast Iron Center)	1	②6	360.048.425	Gasket, Air Valve	1
②	050.005.360W	Ball, Check	4	27	518.003.156	Manifold	1
	050.005.363	Ball, Check	4		518.003.010	Manifold	1
	050.005.364	Ball, Check	4		518.003.110	Manifold	1
	050.005.365W	Ball, Check	4		518.003.112	Manifold	1
	050.005.354	Ball, Check	4	28	530.036.000	Muffler	1
	050.010.600	Ball, Check	4	29	545.005.330	Nut, Hex, 3/8-16	6
3	070.006.170	Bearing	2	30	545.007.330	Nut, Hex, 7/16-14 (Side Ported Units)	16
④	095.073.000	Assembly, Pilot Valve	1		545.007.330	Nut, Hex 7/16-14 (Down Ported Units)	20
5	114.002.156	Bracket, Intermediate	1	③1	560.001.360	O-Ring	2
	114.002.010	Bracket, Intermediate	1	③2	560.022.360	O-Ring	2
6	115.046.080	Bracket, Leg (Side Ported Only)	2	③3	560.028.360	O-Ring	2
	115.057.080	Bracket, Leg (Down Ported Only)	2		560.028.610	O-Ring (PTFE and FKM Fitted Units Only)	2
⑦	132.002.360	Bumper, Diaphragm Rod	2	③4	570.009.360	Pad, Wear	2
8	135.016.162	Bushing, Threaded	2		570.009.363	Pad, Wear	2
9	170.023.330	Capscrew, Hex Hd, 7/16-14 X 1.75	4		570.009.364	Pad, Wear (Also used with Santoprene (354) Fitted Units)	2
	170.035.330	Capscrew, Hex Hd, 7/16-14 X 1.50 (Stainless Units Only)	4		570.009.365	Pad, Wear	2
10	170.024.330	Capscrew, Hex Hd, 7/16-14 X 1.00	4	35	612.052.157	Plate, Inner Diaphragm	2
11	170.035.330	Capscrew, Hex Hd, 7/16-14 X 1.50	4		612.052.010	Plate, Inner Diaphragm	2
12	170.040.330	Capscrew, Hex Hd, 3/8-16 X 5.50	6		612.219.150	Plate, Inner Diaphragm (Used with 286.114.654 One-Piece Bonded PTFE Diaphragm)	2
13	170.045.330	Capscrew, Hex Hd, 5/16-18 X 1.25	4	36	612.039.157	Plate, Outer Diaphragm Assy. (Not Used with 286.114.000)	2
14	170.058.330	Capscrew, Hex Hd, 7/16-14 X 1.25	4		612.039.010	Plate, Outer Diaphragm Assy. (Not Used with 286.114.000)	2
15	170.060.330	Capscrew, Hex Hd, 7/16-14 X 2.00	12		612.097.110	Plate, Outer Diaphragm Assy. (Not Used with 286.114.000)	2
16	196.193.156	Chamber, Outer (Includes Plug-Item #38)	2		612.097.112	Plate, Outer Diaphragm Assy. (Not Used with 286.114.000)	2
	196.193.010	Chamber, Outer (Includes Plug-Item #38)	2	37	618.003.330	Plug, Pipe 1/4	2
	196.193.110	Chamber, Outer (Includes Plug-Item #38)	2	38	618.003.330	Plug, Pipe 1/4 (Aluminum and Cast iron Units)	4
	196.193.112	Chamber, Outer (Includes Plug-Item #38)	2		618.003.110	Plug, Pipe 1/4 (Stainless Units)	4
17	196.194.156	Chamber, Inner (Includes Plug - Item #37)	2		618.003.112	Plug, Pipe 1/4 (Hastalloy Units)	4
	196.194.010	Chamber, Inner (Includes Plug - Item #37)	2	③9	620.011.114	Plunger, Actuator	2
⑱	286.005.360	Diaphragm	2	40	685.007.120	Rod, Diaphragm	1
	286.005.363	Diaphragm	2	④1	720.004.360	Seal, U-Cup	2
	286.005.364	Diaphragm	2	42	722.010.110	Seat, Check Valve	2
	286.005.365	Diaphragm	2		722.010.110	"Seat, Check Valve - Suction Side (PTFE and Santoprene Fitted Units)"	1
	286.005.354	Diaphragm	2		722.010.112	Seat, Check Valve	2
	286.114.000	Diaphragm, One-Piece Bonded PTFE Diaphragm	2		722.010.112	"Seat, Check Valve - Suction Side (PTFE and Santoprene Fitted Units)"	1
⑲	286.020.604	Diaphragm, Overlay	2		722.031.110	"Seat, Check Valve - Discharge Side (PTFE and Santoprene Fitted Units)"	1
20	334.006.156	Flange, Discharge	1		722.031.112	"Seat, Check Valve - Discharge Side (PTFE and Santoprene Fitted Units)"	1
	334.006.010	Flange, Discharge	1	43	807.017.330	Stud, Threaded (Side Port Units Only)	4
	334.006.110	Flange, Discharge	1		807.017.330	Stud, Threaded (Down Port Units Only)	8
	334.006.112	Flange, Discharge	1	44	900.005.330	Washer, Lock 3/8	6
21	334.007.156	Flange, Suction	1	45	900.006.330	Washer, Lock 7/16 (Side Ported Units)	20
	334.007.010	Flange, Suction	1		900.006.330	Washer, Lock 7/16 (Down Ported Units)	24
	334.007.110	Flange, Suction	1	46	905.001.330	Washer, Tapered	4
	334.007.112	Flange, Suction	1	47	312.020.156	Elbow (Down Ported Units)	2
22	334.008.156	Flange, Threaded	2		312.020.110	Elbow (Down Ported Units, SST & C.I.)	2
	334.008.010	Flange, Threaded	2		312.020.112	Elbow (Down Ported Units)	2
	334.008.110	Flange, Threaded	2	48	545.004.330	Nut, Hex 5/16-18 (Down Ported Units)	2
	334.008.112	Flange, Threaded	2	50	900.004.330	Washer, Lock 5/16 (Down Ported Units)	2
	334.008.156E	Flange, Threaded (HDB40 Only) BSP Thread	2	51	685.032.080	Rod, Connecting (Down Ported Units)	1
	334.008.010E	Flange, Threaded (HDB40 Only) BSP Thread	2				
	334.008.110E	Flange, Threaded (HDB40 Only) BSP Thread	2				
	334.008.112E	Flange, Threaded (HDB40 Only) BSP Thread	2				
⑳	360.017.379	Gasket, Manifold / Seat	4				
	360.017.384	Gasket, Manifold / Seat	4				
	360.017.608	Gasket, Manifold / Seat	4				
㉑	360.022.425	Gasket, Manifold (Side Ported Units)	2				
	360.022.425	Gasket, Manifold (Down Ported Units)	4				
	360.022.600	Gasket, Manifold (Side Ported Units)*	2				
	360.022.600	Gasket, Manifold (Down Ported Units)*	4				

3: EXP VIEW

## LEGEND:

○ = Items contained within Air End Kits

□ = Items contained within Wet End Kits

**Note:** Kits contain components specific to the material codes.

Parts underlined are only available for sale in kits



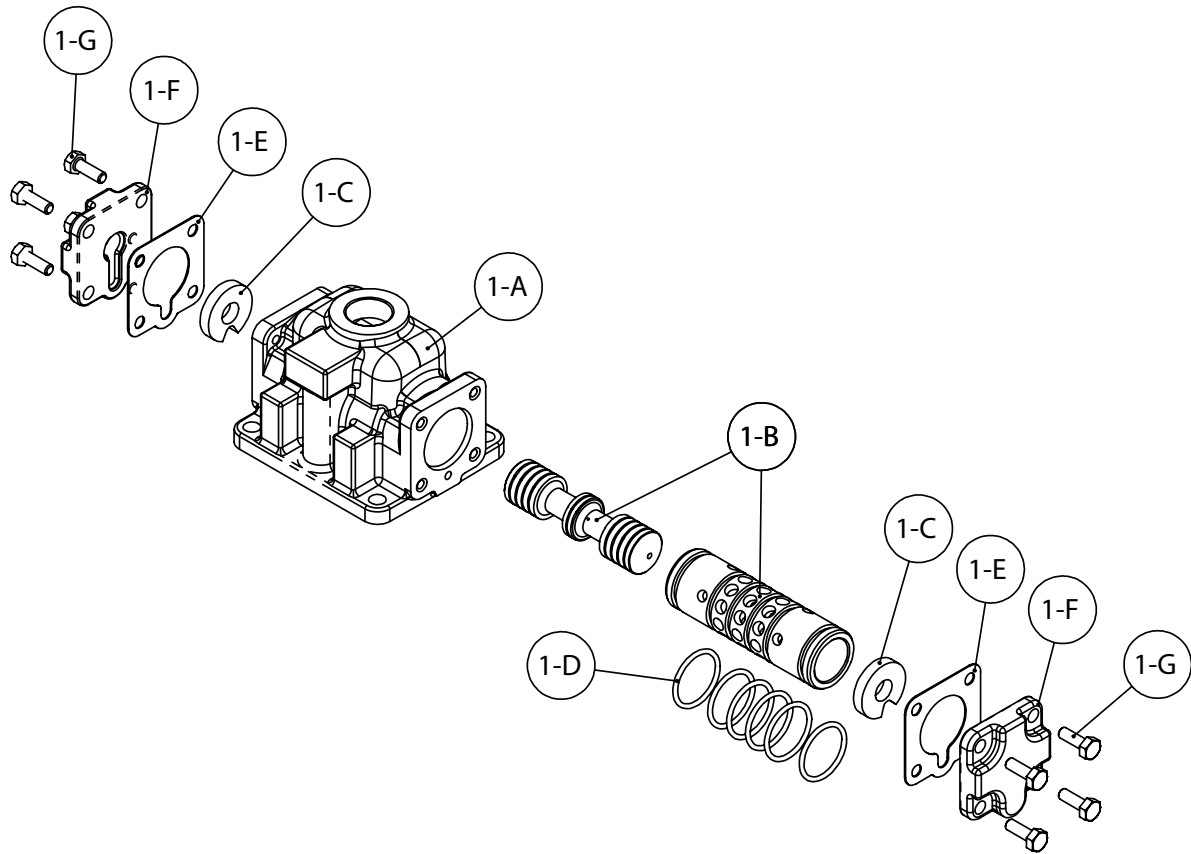
# Material Codes - The Last 3 Digits of Part Number

000.....Assembly, sub-assembly; and some purchased items	364.....EPDM Rubber Color coded: BLUE
010.....Cast Iron	365.....Neoprene Rubber Color coded: GREEN
015.....Ductile Iron	366.....Food Grade Nitrile
020.....Ferritic Malleable Iron	368.....Food Grade EPDM
080.....Carbon Steel, AISI B-1112	371.....Philthane (Tuftane)
110.....Alloy Type 316 Stainless Steel	374.....Carboxylated Nitrile
111.....Alloy Type 316 Stainless Steel (Electro Polished)	375.....Fluorinated Nitrile
112.....Alloy C	378.....High Density Polypropylene
113.....Alloy Type 316 Stainless Steel (Hand Polished)	379.....Conductive Nitrile
114.....303 Stainless Steel	408.....Cork and Neoprene
115.....302/304 Stainless Steel	425.....Compressed Fibre
117.....440-C Stainless Steel (Martensitic)	426.....Blue Gard
120.....416 Stainless Steel (Wrought Martensitic)	440.....Vegetable Fibre
148.....Hardcoat Anodized Aluminum	500.....Delrin® 500
150.....6061-T6 Aluminum	502.....Conductive Acetal, ESD-800
152.....2024-T4 Aluminum (2023-T351)	503.....Conductive Acetal, Glass-Filled
155.....356-T6 Aluminum	506.....Delrin® 150
156.....356-T6 Aluminum	520.....Injection Molded PVDF Natural color
157.....Die Cast Aluminum Alloy #380	540.....Nylon
158.....Aluminum Alloy SR-319	542.....Nylon
162.....Brass, Yellow, Screw Machine Stock	544.....Nylon Injection Molded
165.....Cast Bronze, 85-5-5-5	550.....Polyethylene
166.....Bronze, SAE 660	551.....Glass Filled Polypropylene
170.....Bronze, Bearing Type, Oil Impregnated	552.....Unfilled Polypropylene
180.....Copper Alloy	555.....Polyvinyl Chloride
305.....Carbon Steel, Black Epoxy Coated	556.....Black Vinyl
306.....Carbon Steel, Black PTFE Coated	558.....Conductive HDPE
307.....Aluminum, Black Epoxy Coated	570.....Rulon II®
308.....Stainless Steel, Black PTFE Coated	580.....Ryton®
309.....Aluminum, Black PTFE Coated	600.....PTFE (virgin material) Tetrafluorocarbon (TFE)
313.....Aluminum, White Epoxy Coated	603.....Blue Gylon®
330.....Zinc Plated Steel	604.....PTFE
332.....Aluminum, Electroless Nickel Plated	606.....PTFE
333.....Carbon Steel, Electroless Nickel Plated	607.....Envelon
335.....Galvanized Steel	608.....Conductive PTFE
337.....Silver Plated Steel	610.....PTFE Encapsulated Silicon
351.....Food Grade Santoprene®	611.....PTFE Encapsulated FKM
353.....Geolast; Color: Black	632.....Neoprene/Hytrel®
354.....Injection Molded #203-40 Santoprene® Duro 40D +/-5; Color: RED	633.....FKM/PTFE
356.....Hytrel®	634.....EPDM/PTFE
357.....Injection Molded Polyurethane	635.....Neoprene/PTFE
358.....Urethane Rubber (Some Applications) (Compression Mold)	637.....PTFE, FKM/PTFE
359.....Urethane Rubber	638.....PTFE, Hytrel®/PTFE
360.....Nitrile Rubber Color coded: RED	639.....Nitrile/TFE
363.....FKM (Fluorocarbon) Color coded: YELLOW	643.....Santoprene®/EPDM
	644.....Santoprene®/PTFE
	656.....Santoprene® Diaphragm and Check Balls/EPDM Seats
	661.....EPDM/Santoprene®
	666.....FDA Nitrile Diaphragm, PTFE Overlay, Balls, and Seals
	668.....PTFE, FDA Santoprene®/PTFE

- Delrin and Hytrel are registered tradenames of E.I. DuPont.
- Nylatron is a registered tradename of Polymer Corp.
- Gylon is a registered tradename of Garlock, Inc.
- Santoprene is a registered tradename of Exxon Mobil Corp.
- Rulon II is a registered tradename of Dixon Industries Corp.
- Ryton is a registered tradename of Phillips Chemical Co.
- Valox is a registered tradename of General Electric Co.



# Air Distribution Valve Assembly



## Air Distribution Valve Servicing

See repair parts drawing, remove screws.

**Step 1:** Remove Hex Head Cap Screws (1-G).

**Step 2:** Remove end cap (1-F), gasket (1-E) and bumper (1-C).

**Step 3:** Remove spool part of (1-B) (caution: do not scratch).

**Step 4:** Press sleeve (1-B) from body (1-A).

**Step 5:** Inspect O-Ring (1-D) and replace if necessary.

**Step 6:** Lightly lubricate O-Rings (1-D) on sleeve (1-B).

**Step 7:** Press sleeve (1-B) into body (1-A).

**Step 8:** Reassemble in reverse order, starting with step 3.

**Note:** Sleeve and spool (1-B) set is match ground to a specified clearance sleeve and spools (1-B) cannot be interchanged.

### ⚠ IMPORTANT



Read these instructions completely, before installation and start-up. It is the responsibility of the purchaser to retain this manual for reference. Failure to comply with the recommendations stated in this manual will damage the pump, and void factory warranty.

## MAIN AIR VALVE ASSEMBLY PARTS LIST

Item	Part Number	Description	Qty
1	031.019.156	Air Valve Assembly	1
1-A	095.043.156	Body, Air Valve	1
Ⓚ-B	031.012.000	Sleeve and Spool Set	1
Ⓚ-C	132.014.358	Bumper	2
Ⓚ-D	560.020.360	O-Ring	6
Ⓚ-E	360.010.425	Gasket	2
1-F	165.011.157	End Cap	2
1-G	170.032.330	Hex Head Capscrew	8

## FOR CAST IRON CENTERS ONLY

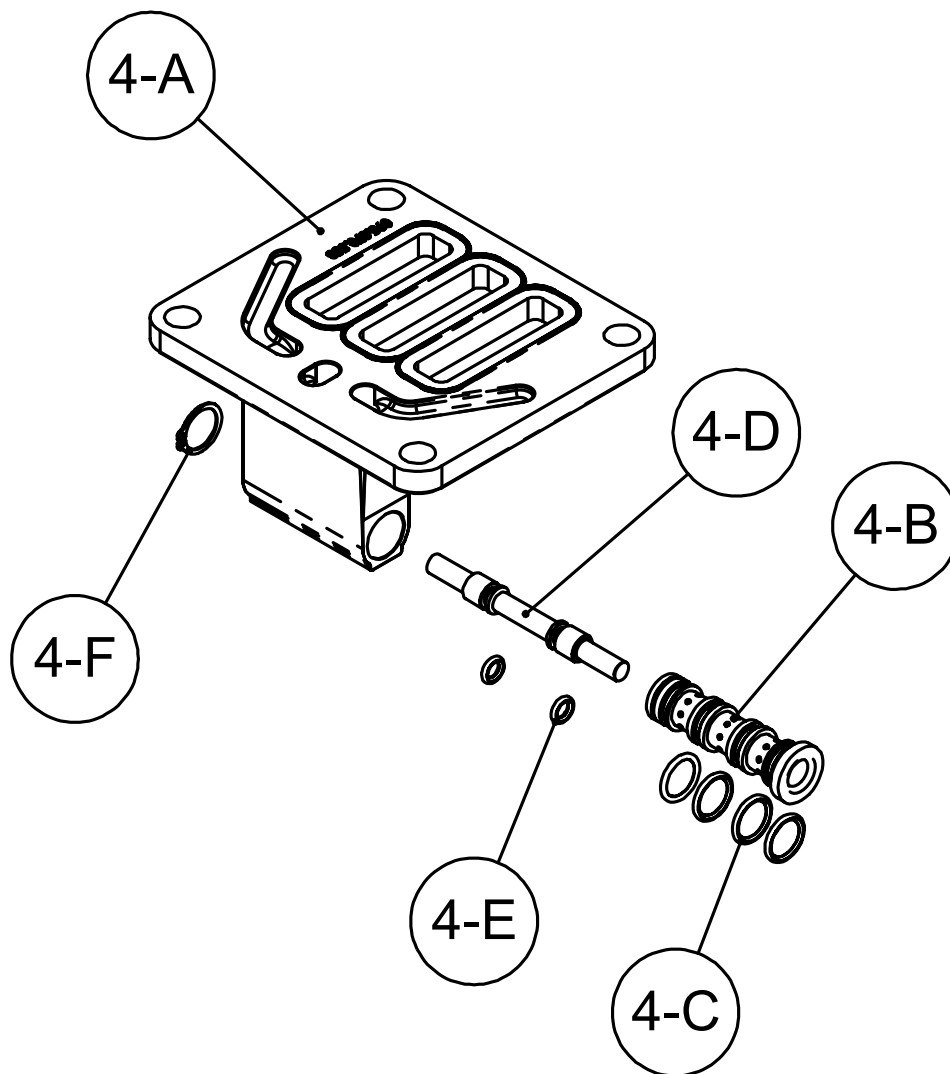
Item	Part Number	Description	Qty
1	031.019.010	Air Valve Assembly	1
1-A	095.043.010	Body, Air Valve	1
Ⓚ-B	031.012.000	Sleeve and Spool Set	1
Ⓚ-C	132.014.358	Bumper	2
Ⓚ-D	560.020.360	O-Ring	6
Ⓚ-E	360.010.425	Gasket	2
1-F	165.011.010	End Cap	2
1-G	170.032.330	Hex Head Capscrew	8

### LEGEND:

Ⓚ = Items contained within Air End Kits

**Note:** Kits contain components specific to the material codes.

# Pilot Valve Assembly



4: AIR END

## Pilot Valve Servicing

With Pilot Valve removed from pump.

**Step 1:** Remove snap ring (4-F).

**Step 2:** Remove sleeve (4-B), inspect O-Rings (4-C), replace if required.

**Step 3:** Remove spool (4-D) from sleeve (4-B), inspect O-Rings (4-E), replace if required.

**Step 4:** Lightly lubricate O-Rings (4-C) and (4-E).

Reassemble in reverse order.

## PILOT VALVE ASSEMBLY PARTS LIST

Item	Part Number	Description	Qty
<b>4</b>	<b>095.073.001</b>	<b>Pilot Valve Assembly</b>	<b>1</b>
4-A	095.070.558	Valve Body	1
4-B	755.025.000	Sleeve (With O-Rings)	1
Ⓞ	560.033.360	O-Ring (Sleeve)	4
4-D	775.026.000	Spool (With O-Rings)	1
Ⓞ	560.023.360	O-Ring (Spool)	2
4-F	675.037.080	Retaining Ring	1

### LEGEND:

Ⓞ = Items contained within Air End Kits

**Note:** Kits contain components specific to the material codes.

# Diaphragm Servicing

**Step 1:** With manifolds and outer chambers removed, remove diaphragm assemblies from diaphragm rod. **DO NOT** use a pipe wrench or similar tool to remove assembly from rod. Flaws in the rod surface may damage bearings and seal. Soft jaws in a vise are recommended to prevent diaphragm rod damage.

**Step 1.A: NOTE:** Not all inner diaphragm plates are threaded. Some models utilize a through hole in the inner diaphragm plate. If required to separate diaphragm assembly, place assembly in a vise, gripping on the exterior cast diameter of the inner plate. Turn the outer plate clockwise to separate the assembly.

Always inspect diaphragms for wear cracks or chemical attack. Inspect inner and outer plates for deformities, rust scale and wear. Inspect intermediate bearings for elongation and wear. Inspect diaphragm rod for wear or marks.

Clean or repair if appropriate. Replace as required.

**Step 2: Reassembly:** There are two different types of diaphragm plate assemblies utilized throughout the Sandpiper product line: Outer plate with a threaded stud, diaphragm, and a threaded inner plate.

Outer plate with a threaded stud, diaphragm, and an inner plate with through hole. Secure threaded inner plate in a vise. Ensure that the plates are being installed with the outer radius against the diaphragm.

**Step 3:** Lightly lubricate, with a compatible material, the inner faces of both outer and inner diaphragm plates when using on non Overlay diaphragms (For EPDM water is recommended). No lubrication is required.

**Step 4:** Push the threaded outer diaphragm plate through the center hole of the diaphragm.

**Note:** Most diaphragms are installed with the natural bulge out towards the fluid side. S05, S07, and S10 non-metallic units are installed with the natural bulge in towards the air side.

**Step 5:** Thread or place, outer plate stud into the inner plate. For threaded inner plates, use a torque wrench to tighten the assembly together. Torque values are called out on the exploded view.

Repeat procedure for second side assembly. Allow a minimum of 15 minutes to elapse after torquing, then re-torque the assembly to compensate for stress relaxation in the clamped assembly.

**Step 6:** Thread one assembly onto the diaphragm rod with sealing washer (when used) and bumper.

**Step 7:** Install diaphragm rod assembly into pump and secure by installing the outer chamber in place and tightening the capscrews.

**Step 8:** On opposite side of pump, thread the remaining assembly onto the diaphragm rod. Using a torque wrench, tighten the assembly to the diaphragm rod. Align diaphragm through bolt holes, always going forward past the recommended torque. Torque values are called out on the exploded view. **NEVER** reverse to align holes, if alignment cannot be achieved without damage to diaphragm, loosen complete assemblies, rotate diaphragm and reassemble as described above.

**Step 9:** Complete assembly of entire unit.

One Piece Diaphragm Servicing (Bonded PTFE with integral plate) The One Piece diaphragm has a threaded stud installed in the integral plate at the factory. The inner diaphragm plate has a through hole instead of a threaded hole. Place the inner plate over the diaphragm stud and thread the first diaphragm / inner plate onto the diaphragm rod only until the inner plate contacts the rod. Do not tighten. A small amount of grease may be applied between the inner plate and the diaphragm to facilitate assembly. Insert the diaphragm / rod assembly into the pump and install the outer chamber. Turn the pump over and thread the second diaphragm / inner plate onto the diaphragm rod. Turn the diaphragm until the inner plate contacts the rod and hand tighten the assembly. Continue tightening until the bolt holes align with the inner chamber holes. **DO NOT LEAVE THE ASSEMBLY LOOSE.**

## IMPORTANT



*Read these instructions completely, before installation and start-up. It is the responsibility of the purchaser to retain this manual for reference. Failure to comply with the recommendations stated in this manual will damage the pump, and void factory warranty.*

# 5 - YEAR Limited Product Warranty

Warren Rupp, Inc. ("Warren Rupp") warrants to the original end-use purchaser that no product sold by Warren Rupp that bears a Warren Rupp brand shall fail under normal use and service due to a defect in material or workmanship within five years from the date of shipment from Warren Rupp's factory. Warren Rupp brands include Warren Rupp®, SANDPIPER®, MARATHON®, PortaPump®, SludgeMaster™ and Tranquilizer®.

~ See [sandpiperpump.com/content/warranty-certifications](http://sandpiperpump.com/content/warranty-certifications) for complete warranty, including terms and conditions, limitations and exclusions. ~

**WARREN  
RUPP, INC.**

## Declaration of Conformity

Manufacturer: Warren Rupp, Inc., 800 N. Main Street  
Mansfield, Ohio, 44902 USA

Certifies that Air-Operated Double Diaphragm Pump Series: HDB, HDF, M Non-Metallic, S Non-Metallic, M Metallic, S Metallic, T Series, G Series, U Series, EH and SH High Pressure, RS Series, W Series, SMA and SPA Submersibles, and Tranquilizer® Surge Suppressors comply with the European Community Directive 2006/42/EC on Machinery, according to Annex VIII. This product has used Harmonized Standard EN809:1998+A1:2009, Pumps and Pump Units for Liquids - Common Safety Requirements, to verify conformance.

David Roseberry  
Signature of authorized person

David Roseberry  
Printed name of authorized person

Revision Level: F

October 20, 2005  
Date of issue

Engineering Manager  
Title

August 23, 2012  
Date of revision



# **WARREN RUPP, INC.**

## **EC / EU Declaration of Conformity**

The objective of the declaration described is in conformity with the relevant Union harmonisation legislation: Directive 94/9/EC (until April 19, 2016) and Directive 2014/34/EU (from April 20, 2016).

**Manufacturer:**

Warren Rupp, Inc.  
A Unit of IDEX Corporation  
800 North Main Street  
P.O. Box 1568  
Mansfield, OH 44902 USA

**Applicable Standard:**

EN13463-1: 2001  
EN13463-5: 2003  
EN60079-25: 2004

**Harmonised Standard:**

EN13463-1: 2009  
EN13463-5: 2011  
EN60079-25:2010

The harmonised standards have been compared to the applicable standards used for certification purposes and no changes in the state of the art technical knowledge apply to the listed equipment.

**AODD Pumps and Surge Suppressors**

Technical File No.: 203104000-1410/MER

**AODD (Air-Operated Double Diaphragm) Pumps**

EC Type Examination Certificate No. Pumps: KEMA 09ATEX0071 X

DEKRA Certification B.V. (0344)  
Meander 1051  
6825 MJ Arnhem  
The Netherlands

**Hazardous Locations Applied:**

I M1 c	II 1 G c T5
II 2 G Ex ia c II CT5	II 1 D c T100°C
II 2 D Ex c iaD 20 IP67 T100°C	II 2 G c T5
II 2 G Eex m c II T5	II 2 D c T100°C
II 2 D c IP65 T100°C	

**SANDPIPER**<sup>®</sup>  
A WARREN RUPP, INC. BRAND

**Tranquilizer**<sup>®</sup>

DATE/APPROVAL/TITLE:  
18 March 2016

*David Roseberry*  
David Roseberry, Director of Engineering

**IDEX**