

List of contents

1. Technical data
2. Scope of delivery
3. Installation
4. Electrical connection of pump
5. Safety instructions
6. Injection nozzle assembly
7. Startup
8. Maintenance
9. Troubleshooting

Keep the operating instructions of the metering pump and the accessories readily accessible.

2. Scope of delivery

Be careful when unpacking the metering pump and order-related accessories in order not to miss small parts. Immediately compare the scope of delivery to the delivery note. If there are any discrepancies, try to find out the reason.

1. Technical data

KARDOS KN...		10	23	35	45	85	150	210	260	350	500	850	1460
max. pressure [bar]	Plastic	10										6.5	3
	St. steel	400	250	160	125	65	40	25	20	16	11	6.5	3
Flow rate at max. pressure	[l/h]	9.9	22	35	45	82	140	200	245	325	465	800	1550
	[ml/stroke]	1.5	3.4	5.3	6.8	12.5	21.2	30.5	37.7	50	71.3	122	235
Piston ø	[mm]	8	12	15	17	23	30	36	40	46	55	72	100
Stroke frequency	[1/min]	110											
Suction lift	[mbar]	120											
Motor power	[kW]	0.55 -0.75-1.1 depending on power consumption											
Weight [kg]	Metering head	Plastic	2				3				4	5	
		St. steel	7				10				15	18	
	Simplex gear	manual	45				46				47	48	
		ATE	49				50				51	52	
	Duplex gear	manual	55				57				59	61	
		ATE	63				65				67	69	

3. Installation

When planning, installing and operating a system, the metering pump must be selected with due regard to the local regulations. This applies to the choice of suitable pump materials, the handling of the chemicals and the electrical installation. The technical data of the pump listed above must also be taken into account and the system dimensioned accordingly (e.g. loss of pressure when dimensioning the line with regard to nominal width and length).

The planning engineer and user are responsible for ensuring that the entire system with integrated metering pump is designed so that leaking chemicals due to a failure of wear parts (e.g. worn packing) or ruptured tubing do not cause any permanent damage to system parts and buildings. If there is a large danger potential of the chemical plant the installation must be designed in such a way as to prevent unnecessarily high consequential damage even if the metering pump fails. We therefore recommend to install leakage monitors and containment tanks.

Note: Due to their design piston pumps are not leakage-free. This must be taken into account when planning the process and the system.

Metering pumps are designed according to the highest quality standards and have a long service life. Despite this, some parts are subject to wear caused by operation (e.g. piston, packing, valve

seats, valve balls). Regular visual inspection is therefore necessary to ensure reliable longterm operation. The metering pump must be installed so that it is readily accessible to operating and maintenance personnel. It should be serviced regularly to avoid downtimes.

Supplementary fittings are recommended to increase the metering accuracy and functional reliability. Such fittings include backpressure valves, relief valves, leakage monitors and low-level controls as shown in the following installation example.

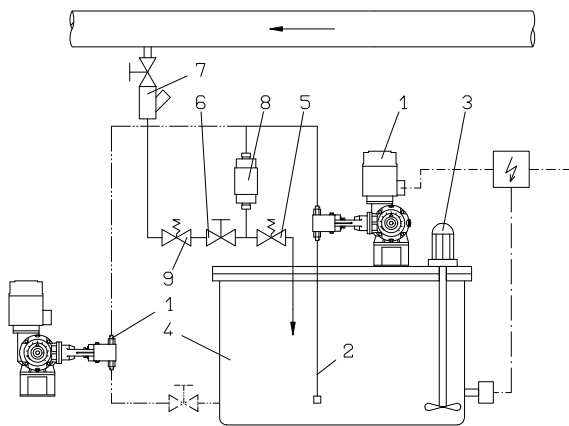
Suitable tools must always be used to work on plastic connecting parts. Undue force must never be applied as otherwise the parts may be damaged or destroyed. Plastic parts (particularly those made of PVC) can be screwed and unscrewed more easily if the thread has been lubricated with Vaseline or silicone grease.

Note: The compatibility of the Vaseline or grease with the metered chemical must always be checked first.

The ambient temperature of the pump must not exceed 40 °C. Radiated heat from devices and heat exchangers must be shielded so that the metering pump can still dissipate its own heat. Direct sunlight must be avoided. A canopy roof must be provided to protect the pump against the weather when installed outdoors.

The metering pump must be installed with suction and discharge valves in an upright position. It must be bolted onto suitable ground to ensure stability. The system piping must not apply any forces to the connections and valves of the metering pump. The pump must be interlocked electrically and hydraulically to prevent accidental metering after the process has ended.

Installation example



Legend

1	KARDOS KN	MB 1 09 01
2	Suction line	MB 1 22 01
3	Electric agitator	MB 1 36 03
4	Tank	MB 1 20 01
5	Relief valve	MB 1 25 01
6	Diaphragm shutoff valve	MB 1 24 01
7	Injection nozzle	MB 1 23 01
8	Pulsation dampener	MB 1 27 01
9	Backpressure valve	MB 1 25 01

4. Electrical connection of the pump

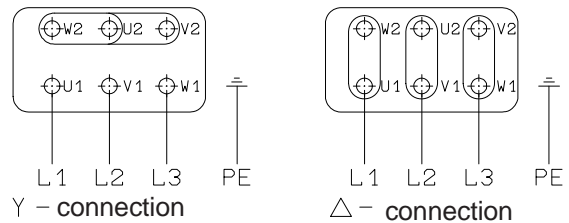
- The electrical connection of the metering pump must be in accordance with the local regulations and may only be carried out by qualified personnel.
- The cable type and cross-section of the power supply cables must be selected according to the motor data.
- The cable bushing to the motor terminal box must be made correctly. We recommend the use of compression glands with strain relief.
- The required protection class must be ensured by correct installation of the electrical connections.

Electrical connection data

Pump size	Voltage [Volt]	Power [kW]	Current [A]
...KN 1460	400/230 50 Hz	0.55	1.50/2.60
...KN 1460	400/230 50 Hz	0.75	2.00/3.50
...KN 1460	400/230 50 Hz	1.10	2.70/4.70

Wiring diagram of the drive motor

- Three-phase supply



- Special version

Other electrical versions can be found in the separate circuit diagrams.

- Electric servomotor ATE

The technical data and connection diagrams can be found on page BW 1 09 01 / 7+8.

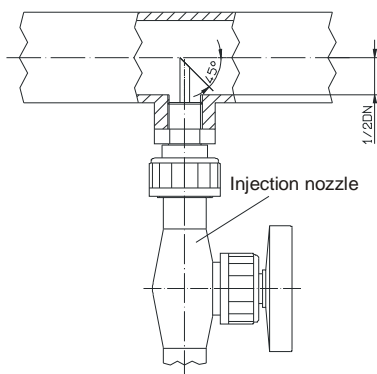
5. Safety instructions

- ⇒ The safety rules applicable on site must be observed when working on metering plants (e.g. use of personal protective equipment).
- ⇒ Before starting any work on the metering pump and system, all mains lines must be disconnected and secured against reconnection. The metering lines must be connected before reconnecting the power supply in order to prevent any chemical still in the metering head from being expelled.
- ⇒ Important: The piston area must remain open for checking, which may be dangerous if accessed directly. Maintenance work in the piston area may only be carried out if the pump is switched off.

- ⇒ The metering head of the pump and the system connections and lines may be under pressure. Working on the metering pump requires special safety precautions and may only be carried out by instructed, qualified personnel.
- ⇒ Before startup, all screwed connections must be checked for correct tightness and, if necessary, must be tightened up using appropriate tools.
- ⇒ If connections at the metering head are unscrewed during operation for venting or other reasons during operation, leaking chemical must be removed correctly and completely. This is the only way to avoid the danger of physical injury and corrosion at the metering pump. Leaking chemical may also affect the pump housing.
- ⇒ When changing the chemical, check whether the materials used for the metering pump and the other plant parts are chemically resistant. If there is the danger of a chemical reaction between different media, thorough cleaning first is mandatory.
- ⇒ To operate the pump mount the fan shell in order to ensure sufficient cooling of the motor.

6. Injection nozzle assembly

Injection nozzles are fitted with either spring-loaded ball valve or tube valve to prevent any return flow. Injection from bottom to top is recommended to allow air bubbles to escape and to be carried away so that precipitations are avoided. The experience with the chemical to be metered and its properties must be taken into account.



7. Startup

1. All the work described in the section "Installation" must be carried out before starting the metering pump. The safety instructions must also be observed.
2. The metering pump is switched on via a control system to be installed externally.
3. The manual or electrical capacity adjustment must be set to maximum stroke to improve priming. During first priming no backpressure should be applied. For this purpose we recommend to install a relief valve on the discharge side of the metering pump.
4. A previously installed priming aid must be filled with chemical first. If the pump is not priming, remove the discharge valve and fill water or chemical (if not dangerous!) into the metering head. Remount valve and start priming.
5. If a venting facility is available as separate unit, open it and wait until liquid flows out. Then close it again. In the case of effervescent liquids allow the liquid to flow out permanently (approx. 1 drop for 1...3 strokes).
6. When correct operation is achieved, set to the required flow rate by means of the adjusting knob or electrical remote adjustment. For first approximation refer to the values shown in the "Technical data" table. Depending on the installation and the chemicals used, these values may differ and must be checked under operating conditions.
7. The manufacturer of the metering equipment is not responsible for damages due to excessive or low flow rates resulting from faulty pump settings or incorrect and insufficient installation of peripheral fittings.

8. Maintenance

Lubrication

The piston metering pump KARDOS KN is designed for easy maintenance. The gear of the pump is lubricated with gear oil of viscosity class SAE 85W-90 according to DIN 51512.

The first filling, which is supplied with the product, is to be replaced after 5,000 operating hours or 1 year, whichever comes first. Further oil changes should be conducted after 10,000 operating hours or 2 years, whichever comes first. The capacity equals 1 litre for the single gear, approx. 1.6 litres for the duplex gear and approx. 1.8 litres for the triple gear and approx. 2 litres for the quadruple gear. The amount of gear oil actually required can be read off from the oil gauge: the oil is filled up to the middle of the view glass.

Replacing the piston

A defective piston or worn packing can be replaced as follows:

1. The chemical contained in the metering line must be drained to depressurize the metering line. Please observe the aforementioned safety instructions for this purpose.
2. The head is removed using an appropriate tool: Unscrew the attachment screws of the metering head, loosen the gland stud. The metering head is then removed in axial direction from the support. Slight rotations of the head make dismantling easier.
3. The piston can now be unscrewed from the piston rod and replaced by a new one, if necessary.
4. To change the packing, the gland stud must be unscrewed. The defective packing is removed using a packing worm. Alternatively, a hook can be used to remove the old packing.
5. After cleaning the packing area, the new packing rings are fitted with offset joints and the gland studs fastened sturdily.
Caution: The packing material must be compatible with the application and with the chemical.
6. The metering head is now pushed in alignment with the piston and the supporting flange and fixed with the attachment screws after it has reached its final position. Make sure that the valves are positioned vertically.

7. The gland stud is tightened carefully to start the bedding-in process of the new packing. For this purpose the pump is run dry first without connection to the medium. After some strokes the gland is retightened.
8. After connecting the metering lines the pump is started as described in the 'Startup' section. Continue to prestress the gland stud until a minimum leakage occurs. If prestressing is too strong, the return movement of the piston might be restrained. In this case slightly loosen the gland stud again.

Correction of the stroke length indicator

1. Handwheel A is turned to the left until stop.
2. Then the handwheel is turned back to the right by one rotation. The pump now works at maximum flow rate.
3. Tightening bolt B at the periphery of the handwheel is unscrewed.
4. The indicator housing C can now be turned into the 100% position, the red and black indicator pointing both to 100%.
5. The indicator housing C is now fixed with the tightening bolt.
6. As a check test turn the stroke adjustment into the opposite direction thus verifying the zero stroke position. If there is any deviation, the indicator element C can also be adjusted to this position or fixed to an average position.

9. Troubleshooting

TYPE OF FAULT	POSSIBLE CAUSE	RECOMMENDED ACTION
Pump not delivering.	Valves leaking.	Clean and remove air from valves. (See also startup of pump.) Tighten screw connections.
	Valves incorrectly installed.	Reassemble valves. Ensure that the valve balls of suction and discharge valve are located above the valve seats.
	Suction filter, foot valve or suction pipe leaking or blocked.	Clean and seal suction line.
	No stroke movement.	Return spring broken. Replace spring. Consider density of the chemical! Suction lift too high.
Pump delivering too little or irregularly.	Valves blocked or leaking.	Clean and re-seal valves.
Pump delivering too much.	Pressure on suction side too high (pump siphoning).	Install backpressure valve in discharge line.
Strong leakage at piston.	Packing not tightened strong enough.	Tighten gland stud carefully.
	Piston has longitudinal grooves due to normal wear.	Replace piston and packing. See also section 8, maintenance.
	Excessive wear due to abrasive medium.	Replace PTFE packing by Aramid packing.
Pump very noisy.	Roller bearing defective.	Replace roller bearing.
	No or little oil in gearbox.	Refill oil, as described in section "maintenance".
Motor hums and doesn't start.	Wrong connection.	Check electrical wiring.
	Pressure too high.	Check process.

If the problem cannot be corrected on the basis of the above data, return the pump to the factory or contact our Technical Sales Service for further measures. Repairs will be carried out immediately.