

Product Information Peristaltic pump 2.8 l/hr

The inexpensive dosing solution

Peristaltic pumps are used in the field of water treatment whenever low-pulsation dosing is required at low pressure. As compared to diaphragm dosing pumps, peristaltic pumps are characterized by insensitivity to vapor locks in the medium. Typical applications include the dosing of sodium hypochlorite, hydrogen peroxide and hydrochloric acid as well as the dosing of e.g. flocculants or cleaning agents.

Simply sophisticated

The most important service part of a peristaltic pump is the pump hose. For this reason, the Lutz-Jesco peristaltic pump 2.8 l/hr is designed to maximise the service life of the hose and to ensure simple changing of the hose with a minimum of effort.

Spring-loaded rollers protect the hose against excessive pressure when the pressure line is clogged and act as an internal safety valve. The pressure rollers also give way to deposits inside the hose.

The spring can be put up and used as a handling aid when changing the hose. This procedure effectively prevents crush hazards during hose replacement.

The wetted materials are suitable for the standard chemicals used in water treatment: acids, alkalis and most of the disinfectants.

Wall mounting is implemented by clipping the pump on a profile rail. Several pumps can be mounted on one profile rail. A version without housing can be delivered for installation in customer-specific devices.

In short

- Rotor supported on two sides
- Spring-loaded pressure rollers
- Hose change without tools
- Mounting on profile rails
- Drain connection



Technical data

Delivery rate	2,8 l/hr
Accuracy	± 10% (with a new hose)
Manometric pressure	1,5 bar
Capillary rise	300 mbar
No. of revolutions	30/ min
Voltage	230 V 50 Hz
Protection class	IP 65
Power input	max. 5 W
Duty time	100%
Environment temperature	5...40 °C
Medium temperature	5...50 °C
Dimensions (W x H x D)	106 x 157 x 112 mm
Weight	ca. 750 g
Hydraulic connections	for PE or PVC-hose 4/6 mm

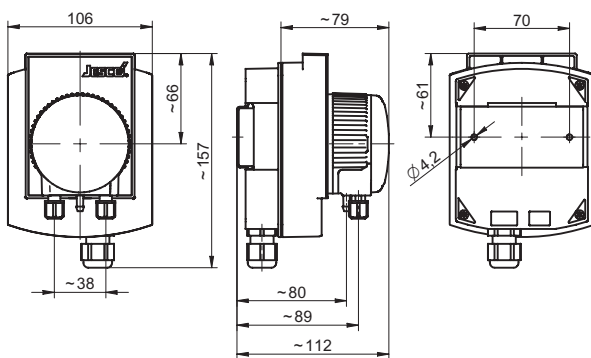
Product Information Peristaltic pump 2.8 l/hr

Model variant

Product name	Material	Order no.
Peristaltic pump	NORPRENE®, MABS, SAN	11001000

NORPRENE® is a registered trademark of Sain-Gobain Performance-Plastics.

Dimensional figure



All measurements are given in mm

Scope of delivery

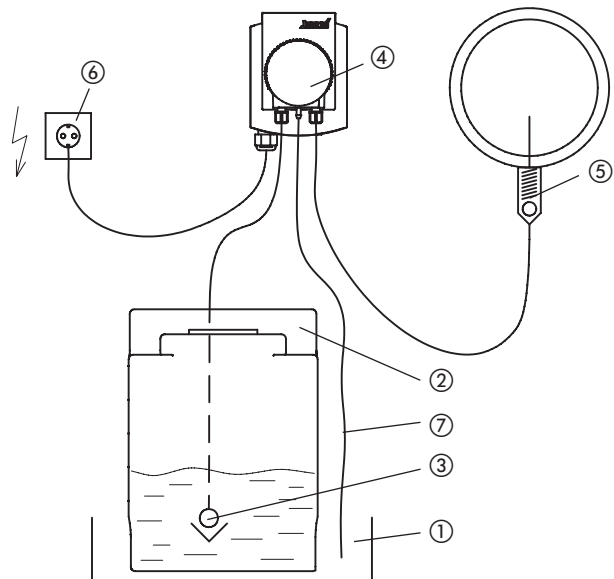
- Peristaltic pump 2.8 l/hr, incl. power cable
- Profile rail for mounting, L= 95 mm
- Mounting material for wall fastening

Accessories

In addition to the peristaltic pump, the following accessories are available for the assembly and operation:

Description	Order no.	
Profile rail for mounting of several pumps in a row	L= 330 mm (up to 3 pumps)	38314
	L= 660 mm (up to 6 pumps)	38317
	L= 990 mm (up to 9 pumps)	38318
Tubing for suction side PVC, 4/6 mm	97181	
Tubing for discharge side PE, 4/6 mm	97128	
Suction line SA, DN 4, PVC, L=2500 mm	12224451	
Injection fitting IR DN 4, G 1/2 - 4/6 with injection pipe 100 mm	12300001	
Injection fitting SKD DN 4, G 1/2 - 4/6 with injection tubing 100 mm (self-cleaning)	12300010	

Installation example



Legend

- ① Collecting tray
- ② Chemical canister
- ③ Suction line with check valve
- ④ Peristaltic pump 2.8 l/hr
- ⑤ Injection point with check valve
- ⑥ Socket with fuse pin
- ⑦ Drain connection of the peristaltic pump