

Universal 2 Series

ROTARY POSITIVE DISPLACEMENT PUMPS



Users of Waukesha Cherry-Burrell PD pumps benefit from decades of continuing product improvement. Steady advances in design, metallurgy and fabrication techniques have yielded progressively higher levels of performance and service life.

THE UNIVERSAL II SERIES of pumps is the latest expression of this tradition. They combine 3-way mounting versatility introduced by the Universal I with new features that extend pump life and improve sanitary performance. Pump is available in CIPable configurations.

SPX FLOW, Inc. (NYSE:FLOW) is a leading manufacturer of innovative flow technologies, many of which help define the industry standard in the market segments they serve. From its headquarters in Charlotte, North Carolina, it operates a sales and support network, centers of manufacturing excellence, and advanced engineering facilities, throughout the world. Its cutting-edge flow components and process equipment portfolio includes a wide range of pumps, valves, heat exchangers, mixers, homogenizers, separators, filters, UHT, and drying technology that meet many application needs. Its expert engineering capability also makes it a premium supplier of customized solutions and complete, turn-key packages to meet the most exacting of installation demands.

Incorporating many leading brands, SPX FLOW has a long history of serving the food and beverage, power and energy, and industrial market sectors. Its designs and engineered solutions help customers drive efficiency and productivity, increase quality and reliability, and meet the latest regulatory demands. In-depth understanding of applications and processes, state-of-the-art Innovation Centers, and advanced pilot/testing technology further assist in optimizing processes and reducing timescales to reliably meet production targets.

To learn more about SPX FLOW capabilities, its latest technology innovations and complete service offerings, please visit www.spxflow.com.

New levels of sanitary performance.

Long-life engineering features.

PRODUCT FEATURES AND BENEFITS

Sanitary Features

- CIP capability available. Pump body has optional internal flat body profile and will free drain with vertical ports. Optional rotor and body hub drilling provided for difficult CIP cleaning applications.
- Cover is free draining in horizontal or vertical port positions.
- Rotor/shaft connection sealed from product zone.
- Single mechanical seals standard. Optional double mechanical seals also available.
- Seal flush optional: seal areas interconnected to improve circulation and draining of seal flush fluid. Steam-In-Place also is optional.
- Stainless steel bearing frame optional on models 006 to 220.
- Aseptic design (Option)

Long-life Features

- Up to 500 psi (34.5 bar) pressure capability.
- Special rotor nut designed for extended service without loosening.
- No bearings in the product zone.
- Larger diameter 17-4 PH shafts for greater strength and stiffness. Helps eliminate vibration; extends seal life.
- Heavy duty bearing frame (stainless steel available as an option).
- Double tapered roller bearings.
- Greased lubed bearings for positive lubrication to all bearings over entire speed, temperature and pressure range.
- Body retaining screws for maintaining mechanical seal contact during inspection.
- Extended outer seal life. A wave spring, instead of an O-ring, mechanically loads the seal.
- O-Ring on inner seal, seals on clean surface as seal moves due to wear.
- Unique mechanical seal design utilizes 3 pin stationary seal and special design shaft for rotary seal.

Installation Features

- Bidirectional flow. Rotors, locked with belleville washers and torqued nuts, rotate securely in either direction. No more flow direction/shaft position specifications.
- Interchangeable installation dimensions with Universal I and Universal Lobe PD pumps. (Except for 320 and 324 sizes)
- Versatile 3-Way mounting of gear case, including vertical alignment of ports.
- Upper or lower shaft position.
- Jacketed or vented cover optional.
- Non-galling Waukesha "88" alloy rotors standard; permits running at tighter clearances and pumping a wide range of viscosities. 316L stainless steel lobe rotors also available.
- 316L stainless steel pump body and cover.
- Electro-polish of product contact surfaces, optional.



Shown with optional
flat body profile



Shown with optional
stainless steel
gearcase



Typical product applications

Food and Beverage

Soups, Stews, Tomato Paste
Vegetables, Dressings
Chocolate, Fats & Oils
Batters, Cream Fillings
Brewery, Wort
Soft/Fruit Drinks



Dairy

Cream, Milk
Cheese Curd & Whey
Cottage Cheese
Yogurt



Pharmaceutical/Cosmetics

Pill Pastes
Syrups, Extracts, Slurries
Face Creams & Lotions
Hair Styling Gels & Liquids
Dyes & Alcohols



Chemical/Industrial

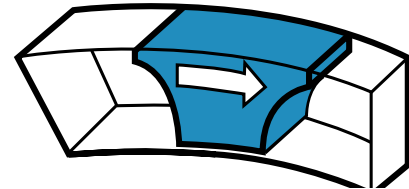
Solvents, Paints
Fuels
Resins, Polymers & Sludges
Oil & Lubricants
Soaps



Time-tested Waukesha Cherry-Burrell rotary pump; circumferential-piston operating principle

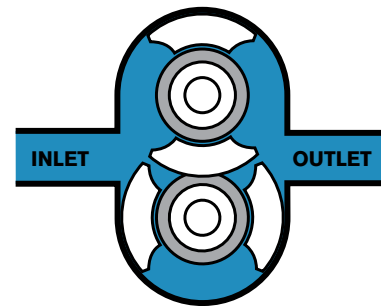
THEORY OF OPERATION

In the Waukesha Cherry-Burrell design, arc-shaped “pistons” (rotor wings) travel in annular-shaped cylinders machined in the pump body; the resulting long sealing path reduces slippage and produces a smooth flow of product without destructive pulses or pressure peaks and without valves or complex parts.



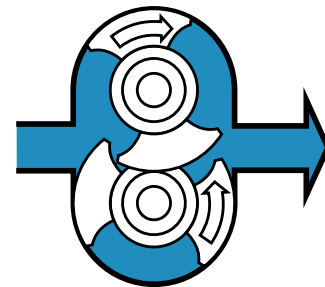
FOR LOW VISCOSITY FLUIDS

Rotors, made of Waukesha “88” alloy, can be run with close clearance to the 316L stainless steel fluid head, without galling or seizing should inadvertent pressure surges cause contact. The close clearances combined with the rotor geometry, which gives a long sealing path between the pump inlet and outlet, means low slip operation. As a result, you achieve: high efficiency, good priming ability, metering capability and good flow control.



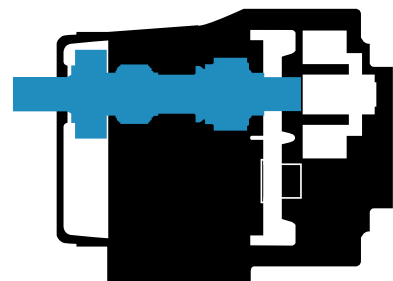
FOR HIGH VISCOSITY FLUIDS

The large fluid cavities of the rotors ... plus the large, easy entry anti-cavitation ports, allow efficient pumping of high viscosity fluids, slurries or even liquids with large chunks or particles.



FOR NON-LUBRICATING AND ABRASIVE FLUIDS

The unique Waukesha Cherry-Burrell design has no bearing in the fluid being pumped, no sliding or rolling contact and no rotor-to-rotor contact. This produces MAXIMUM SERVICE LIFE even under severe operating conditions.



PRODUCT SPECIFICATIONS



UNIVERSAL 2 MODELS

MODEL	DISPLACEMENT PER REVOLUTION	NOMINAL CAPACITY* TO	INLET/OUTLET	OPTIONAL INLET/OUTLET	PRESSURE RANGE UP TO**	MAXIMUM RPM	TEMP RANGE
006-U2	.0082 GAL. (.031 LITER)	8 GPM (1.8 m ³ /hr.)	1"	1½"	300 PSI (20.7 bar)	1000	Std. Rotors: -40°F (-40°C) to 200°F (93°F) Hot Clearance Rotors: 180°F (82°C) to 300°F (149°C)
015-U2	.0142 GAL. (.054 LITER)	11 GPM (2.5 m ³ /hr.)	1½"	-	250 PSI (17.2 bar)	800	
018-U2	.029 GAL. (.110 LITER)	20 GPM (4.5 m ³ /hr.)	1½"	2"	200 PSI (13.8 bar)	700	
030-U2	.060 GAL. (.227 LITER)	36 GPM (8.2 m ³ /hr.)	1½"	2"	250 PSI (17.2 bar)	600	
040-U2	.076 GAL. (.288 LITER)	46 GPM (10.4 m ³ /hr.)	2"	-	150 PSI (10.5 bar)	600	
045-U2	.098 GAL. (.371 LITER)	58 GPM (13.2 m ³ /hr.)	2"	-	450 PSI (31.0 bar)	600	
060-U2	.153 GAL. (.579 LITER)	90 GPM (20.4 m ³ /hr.)	2½"	3"	300 PSI (20.7 bar)	600	
130-U2	.253 GAL. (.958 LITER)	150 GPM (34.1 m ³ /hr.)	3"	-	200 PSI (13.8 bar)	600	
180-U2	.380 GAL. (1.438 LITER)	230 GPM (52.2 m ³ /hr.)	3"	-	450 PSI (31.0 bar)	600	
210-U2	.502 GAL. (1.900 LITER)	300 GPM (68.1 m ³ /hr.)	4"	-	500 PSI (34.5 bar)	600	
220-U2	.521 GAL. (1.972 LITER)	310 GPM (70.4 m ³ /hr.)	4"	-	300 PSI (20.7 bar)	600	
320-U2	.752 GAL. (2.847 LITER)	450 GPM (102 m ³ /hr.)	6"	-	300 PSI (20.7 bar)	600	
370-U2	1.099 GAL. (4.160 LITER)	660 GPM (150 m ³ /hr.)	6"	-	200 PSI (13.8 bar)	600	



RECTANGULAR FLANGE MODELS

MODEL	DISPLACEMENT PER REVOLUTION	NOMINAL CAPACITY* TO	INLET/ W X L Inches	OUTLET	PRESSURE RANGE UP TO**	MAXIMUM RPM	TEMP RANGE
014-U2	.0142 GAL. (.054 LITER)	5.68 GPM (1.3 m ³ /hr.)	1.44 X 4.94	1½"	250 PSI (17.2 bar)	400	Std. Rotors: -40°F (-40°C) to 200°F (93°F) Hot Clearance Rotors: 180°F (82°C) to 300°F (149°C)
034-U2	.060 GAL. (.227 LITER)	24 GPM (5.5 m ³ /hr.)	1.81 X 6.84	2"	250 PSI (17.2 bar)	400	
064-U2	.153 GAL. (.579 LITER)	61 GPM (13.9 m ³ /hr.)	2.44 X 9.0	2½"	300 PSI (20.7 bar)	400	
134-U2	.253 GAL. (.958 LITER)	101 GPM (22.9 m ³ /hr.)	3.19 X 9.38	3"	200 PSI (13.8 bar)	400	
184-U2	.380 GAL. (1.483 LITER)	152 GPM (34.5 m ³ /hr.)	3.28 X 11.25	3"	450 PSI (31.0 bar)	400	
214-U2	.502 GAL. (1.90 LITER)	200 GPM (45.4 m ³ /hr.)	3.45 X 12.70	4"	500 PSI (34.5 bar)	400	
224-U2	.521 GAL. (1.972 LITER)	208 GPM (47.2 m ³ /hr.)	4.06 X 11.25	4"	300 PSI (20.7 bar)	400	
324-U2	.752 GAL. (2.847 LITER)	300 GPM (68.1 m ³ /hr.)	4.25 X 12.70	6"	300 PSI (20.7 bar)	400	

*For capacities above 830 to 935 GPM (189 to 212 m³/hr), see bulletin FH-1725 on 420/520 UHC (ECP Rotors).

**Contact application engineering for higher pressure or higher temperature applications.

Performance and Long Life Through Engineering.

The Waukesha Cherry-Burrell Universal II Series gives you...

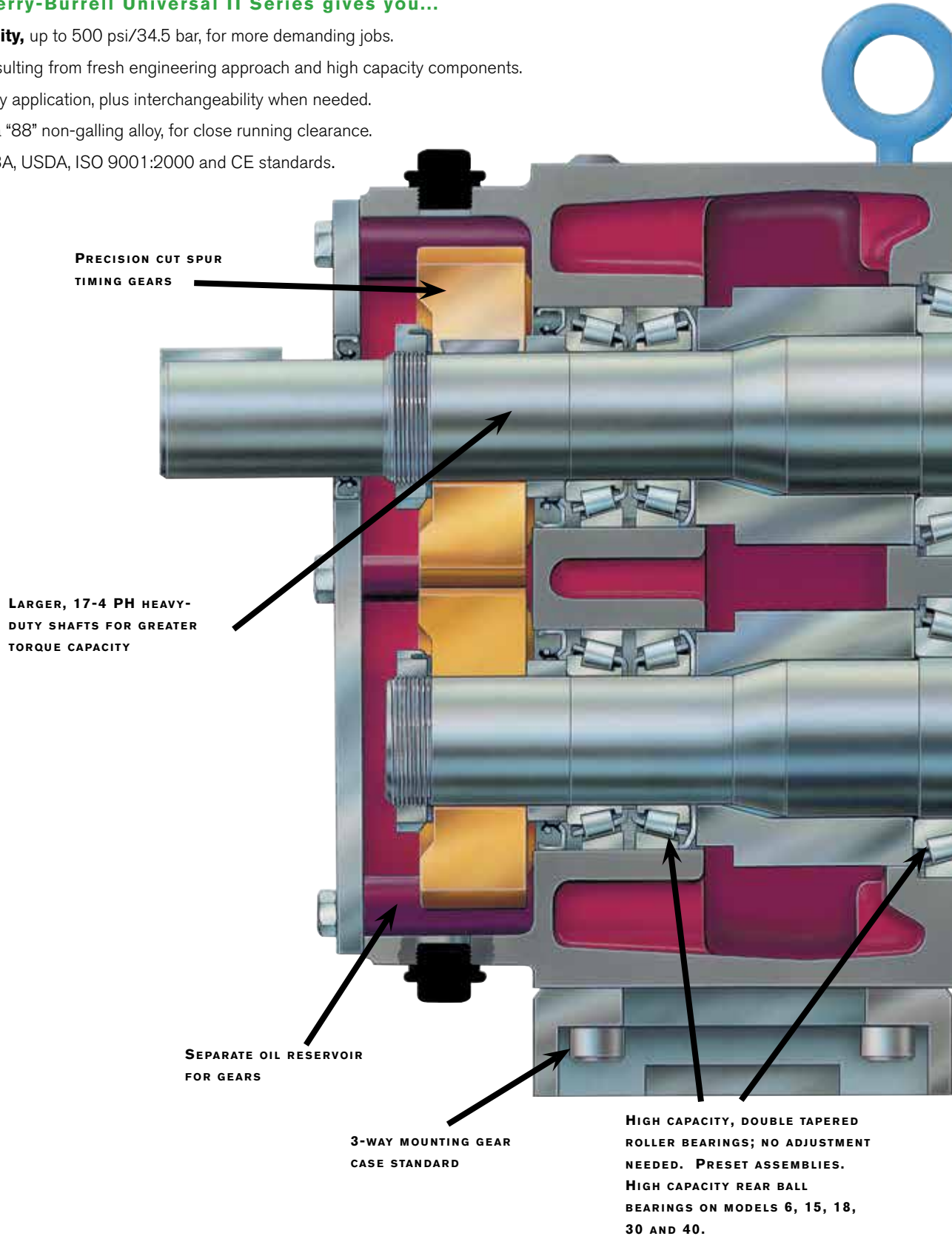
High pressure capability, up to 500 psi/34.5 bar, for more demanding jobs.

Longer service life, resulting from fresh engineering approach and high capacity components.

The right seal, for every application, plus interchangeability when needed.

Metal rotor: Waukesha "88" non-galling alloy, for close running clearance.

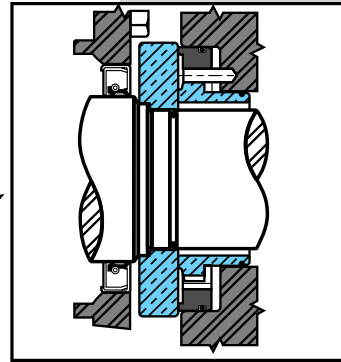
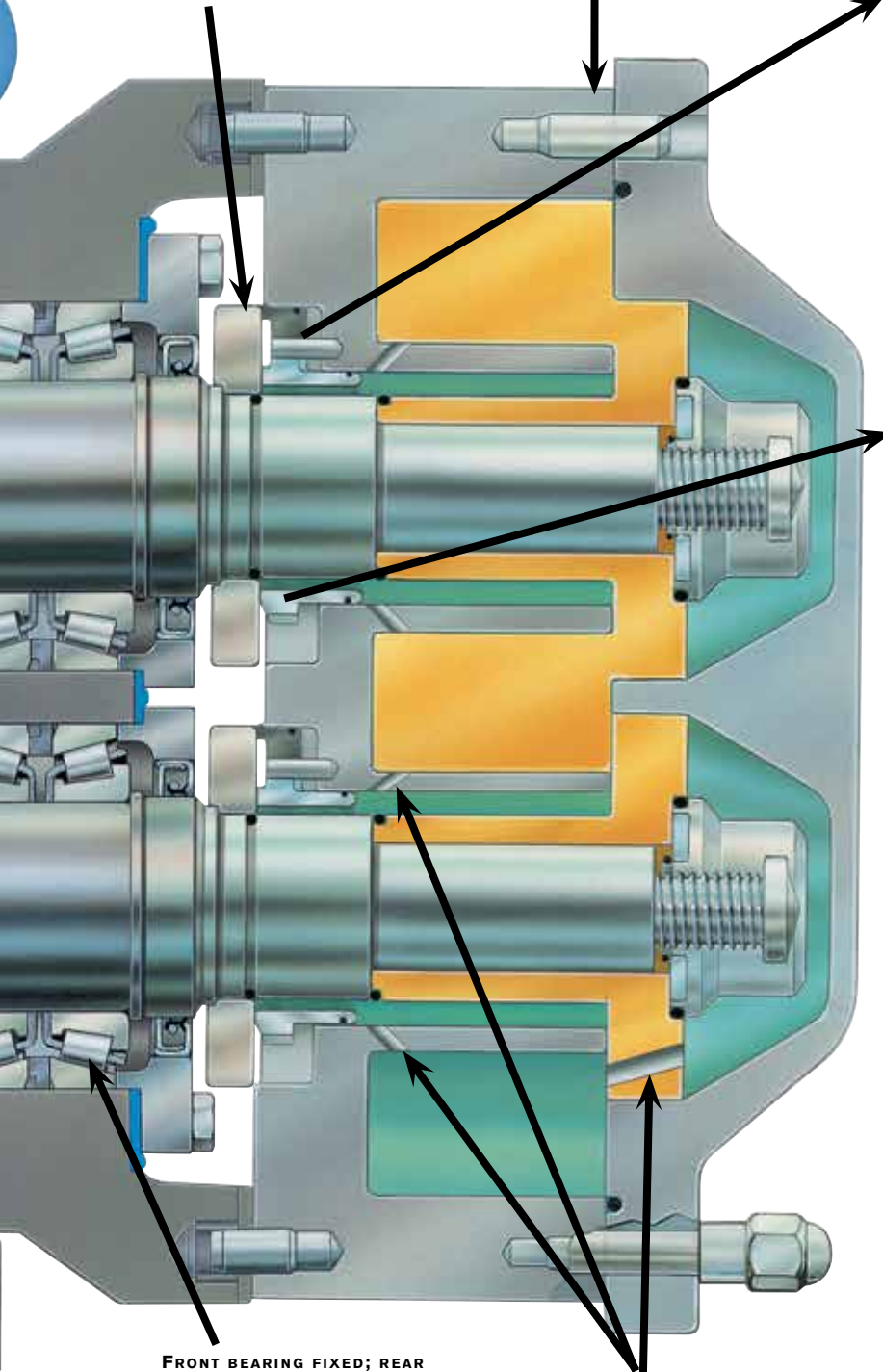
Design conforms, to 3A, USDA, ISO 9001:2000 and CE standards.



Seal Options

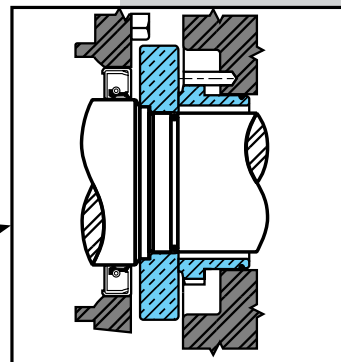
316L STAINLESS STEEL; DESIGN CONFORMS TO 3A, USDA, BISSC, EHEDG, CE, ASME STANDARDS

FIELD INTERCHANGEABLE SEAL OPTIONS FOR EVERY SERVICE



Double Concentric Mechanical Seal*

Used with flushing fluid to cool, lubricate, flush away residue. Best arrangement for severe service.



Single Mechanical Seal*

Carbon-to-ceramic faces standard. Alternate materials available for abrasive service.

FRONT BEARING FIXED; REAR BEARING FLOATING. BETTER CONTROL OF THERMAL EXPANSION WHEN HANDLING HOT PRODUCTS

OPTIONAL DRILLING SHOWN FOR CIP MODELS

Elastomer choices for "O" rings:

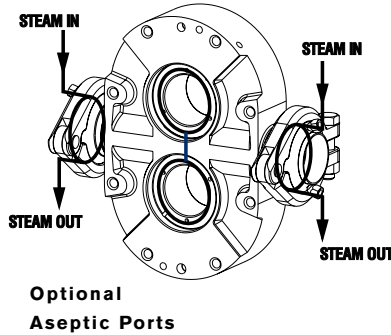
- Buna-N
- Fluoroelastomer (FKM)
- EPDM
- Silicone
- Perfluoroelastomer (FFKM)
- PTFE Encapsulated

*Mechanical seal material options:

- Carbon
- Ceramic
- Silicon Carbide
- Tungsten Carbide

Standard & Options

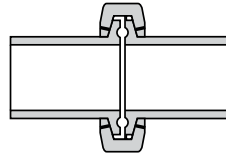
Ports



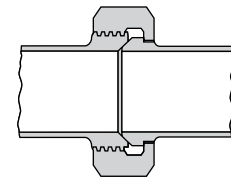
Rotors

O-Rings

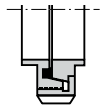
Cover & Gearcase



Standard Sanitary Clamp Type
Is available in a variety of styles including S-Line, I-Line and Q-Line



Bevel Seat Available



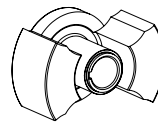
Optional European Types; DIN, SMS, RJT

Male NPT and 150 lb. flanges optional on Models 006 through 220 size. 150 lb. flanges standard on Model 320.

Contact factory for available rectangular flange inlets.

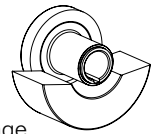
Twin Wing

Standard; suitable for most applications.



Single Wing

For minimum breakage on fluids with discrete particles, such as diced tomato products.

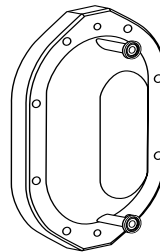


Rotor Clearance

Standard for most applications up to 200°F (94°C). Hot clearance rotors option for applications up to 300°F (149°C). Other special clearances available.

Buna-N Standard

Optional: Fluoroelastomer (FKM), EPDM, Silicone, Per Fluoroelastomer (FFKM), FEP Encapsulates.



Optional drain and/or vent connections

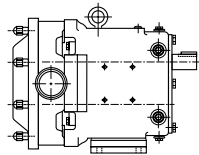


Shown with optional 3-wing cover nuts

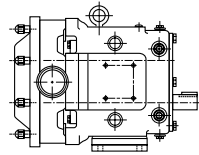
Cast iron powder coated, 316L SS shafts, top shaft position is Standard.

Options:

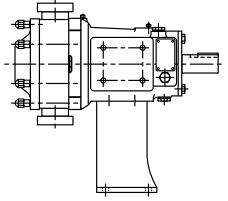
- Stainless Steel gearcase
- Steel-It paint
- 17-4 PH shafts
- Lower shaft position
- Stainless Steel bearing retainers
- Bearing Isolators
- Pedestal shims for side mounted pumps. **Left hand shaft position standard**
- Right hand shaft position on side mounted gearcase



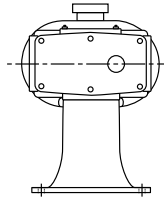
**Top Shaft Position
Standard**



**Lower Shaft Position
Optional**



**Optional Side Mount Gear Case for vertical fluid entry
and free draining of body**



**Standard left hand
shaft position shown
(right hand optional)**

Flat plate, epoxy painted, with adjustable feet, SS coupling guard, and Lovejoy or Woods coupling standard.

Options:

- 304 SS unpolished plate base with adjustable feet.
- Portable base with rubber wheels.
- SS tubular bases.

WCB ISR Integral Speed Reducer Sizes 49, 79 and 239.

Direct connected gear motors.

Mechanical and Electronic Variable Speed Drives.

Hydraulic Motor Drives.

Close coupled Tru-Fit[®] pump mounted on Epoxy-painted open base.

Features:

- No shaft alignment necessary. No coupling guard required.
- Special base design enhances cleanability.
- Reduces overall length of complete unit by an average of 20-25%.
- Average of 20-25 gear ratios available per horsepower.
- Separate oil sump for gear reducer and timing gears.

Options:

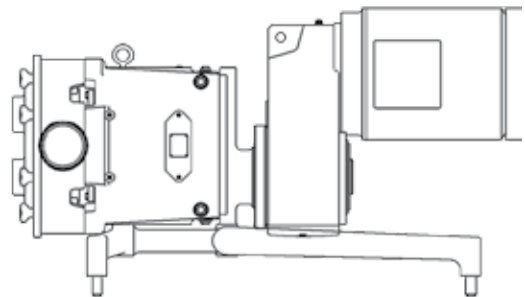
- 304 SS unpolished plate base.
- 304 SS polished plate base.
- NEMA or IEC frames available. Right angle reducer also available for additional space savings.
- 1/2 through 60 horsepower drive options available.
- Horizontal or vertical porting.

Shaft Position

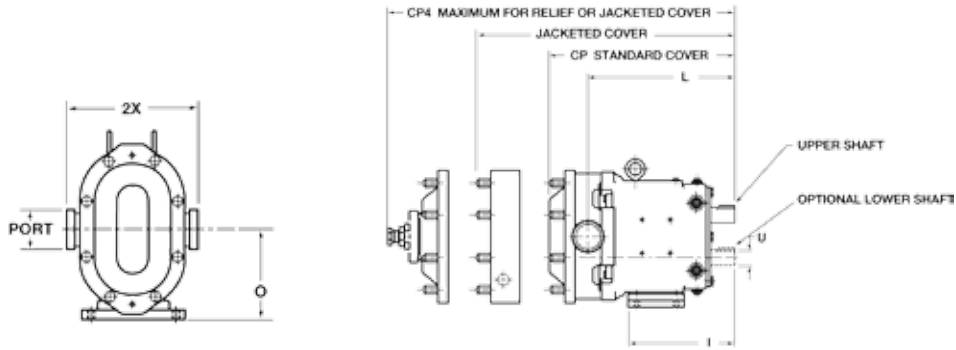
Mounting

Bases and Drives

Tru-Fit[®]



DIMENSIONAL DATA



MODEL		CP	I	L	O	PORT SIZE	U +.000 -.001	2X	CP4
006-U2	IN	11.71	7.66	9.61	4.21	1"	0.875	6.97	14.92
	mm	297	194	244	107	---	22.23	177	379
015-U2	IN	11.71	7.66	9.61	4.21	1-1/2"	0.875	6.97	14.92
	mm	297	194	244	107	---	22.23	177	379
018-U2	IN	12.37	7.66	10.48	4.21	1-1/2"	0.875	6.97	15.58
	mm	314	194	266	107	---	22.23	177	396
030-U2	IN	14.49	8.83	11.61	5.21	1-1/2"	1.25	8.5	17.58
	mm	368	224	295	132	---	31.75	216	447
040-U2	IN	14.87	8.83	11.99	5.21	2"	1.25	8.62	17.96
	mm	378	224	305	132	---	31.75	219	456
045-U2	IN	18.59	10.99	14.86	7.31	2"	1.625	10.75	22.28
	mm	472	279	377	186	---	41.28	273	566
060-U2	IN	19.14	10.99	15.14	7.31	2-1/2"	1.625	10.75	22.83
	mm	486	279	385	186	---	41.28	273	580
130-U2	IN	20.15	10.99	15.77	7.31	3"	1.625	10.75	23.84
	mm	512	279	401	186	---	41.28	273	606
180-U2	IN	23.26	14.8	18.25	9.38	3"	2	13.06	28.51
	mm	591	376	464	238	---	50.8	332	724
210-U2	IN	27.08	17.8	21.24	10.38	4"	2.375	14.73	---
	mm	688	452	539	264	---	60.45	374	---
220-U2	IN	24	14.8	18.49	9.38	4"	2	13.25	29.25
	mm	610	376	470	238	---	50.8	337	743
320-U2	IN	27.66	17.8	21.63	10.38	6" 150# FLG	2.375	16	---
	mm	703	452	549	264	---	60.45	406	---
370-U2	IN	29.16	17.8	22.32	10.38	6" 150# FLG	2.38	17	---
	mm	741	452	567	264	---	60.5	432	---

NOTE: Dimension "2X" applies for Bevel Seat, "S"-Clamp, "Q"-Clamp, 15I and 14I fittings on Models 006 through 220.

Dimension "2X" applies for 6" 150 lb. RF Flange on Model 320.

Consult factory for available rectangular flange inlets.

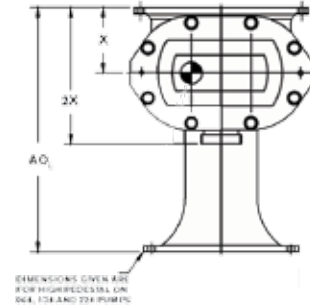
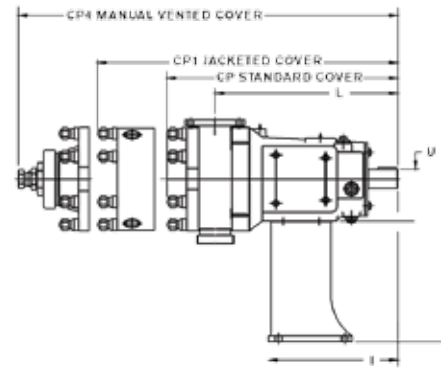
NOTE: Dimensions are for guidance purposes only. Contact your SPX FLOW Representative if more detailed measurements are needed.

UNIVERSAL 2 MODELS - RECTANGULAR FLANGE

MODEL		AO*	CP	CP4	I	PORT SIZE	U +.000 -.001	2X	WT LBS/ KG
014-U2	IN	12.5	11.71	14.92	7.66	1-1/2"	0.875	7.11	47
	mm	318	297	379	195	---	22.23	181	21
034-U2	IN	12.75	14.49	17.58	8.49	2"	1.25	8.12	100
	mm	324	368	447	216	---	31.75	206	45
064-U2	IN	13.94	19.14	22.83	10.77	2-1/2"	1.625	10.31	255
	mm	354	486	580	274	---	41.28	262	116
134-U2	IN	13.94	20.15	23.84	10.77	3"	1.625	10.31	280
	mm	354	512	606	274	---	41.28	262	127
184-U2	IN	35.94	23.26	28.51	13.74	3"	2	13.78	414
	mm	913	591	724	349	---	50.8	350	225
214-U2	IN	35.94	27.08	---	16.86	4"	2.375	16.17	759
	mm	913	688	---	428	---	60.33	411	345
224-U2	IN	19.75	24	29.25	13.74	4"	2	12.87	505
	mm	502	610	743	349	---	50.8	327	229
324-U2	IN	35.94	27.66	---	16.86	6"	2.375	17.81	775
	mm	913	703	---	428	---	60.33	452	352

NOTE: Dimensions are for guidance purposes only. Contact your SPX FLOW Representative if more detailed measurements are needed.

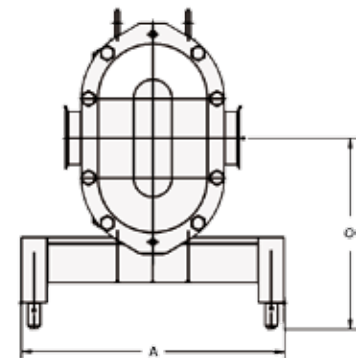
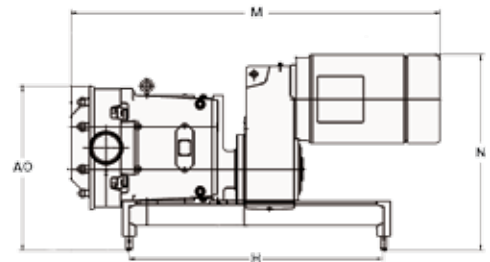
*Optional Pedestal sizes are available please contact factory for more details.



UNIVERSAL 2 MODELS - TRU-FIT®

MODEL		A	AO	H	M	PORT SIZE	N	O
006-U2	IN	12	13.25	18	27.31	1-1/2"	15.56	9.15
	mm	305	37	457	694	---	395	232
015-U2	IN	12	13.25	18	27.31	1-1/2"	15.56	9.15
	mm	305	37	457	694	---	395	232
018-U2	IN	12	13.25	18	27.31	1-1/2"	15.56	9.15
	mm	305	37	457	712	---	395	232
030-U2	IN	14	15.11	20	33.57	1-1/2"	18.65	10.02
	mm	356	384	508	853	---	474	255
040-U2	IN	14	15.11	20	33.94	2"	18.65	10.02
	mm	356	384	508	862	---	474	255
045-U2	IN	18	20	28	43.72	2"	22.02	12
	mm	457	508	711	1112	---	559	305
060-U2	IN	18	20	28	44	2-1/2"	22.02	12
	mm	457	508	711	1118	---	559	305
130-U2	IN	18	20	28	45.01	3"	22.02	12
	mm	457	508	711	1143	---	559	305
180-U2	IN	20	23.25	36	50.02	3"	25.91	14.5
	mm	508	591	914	1270	---	658	368
220-U2	IN	20	23.25	36	50.76	4"	25.91	14.5
	mm	508	591	914	1289	---	658	368

NOTE: Dimensions are for guidance purposes only. Contact your SPX FLOW Representative if more detailed measurements are needed.





When it is time to repair ...

SPX FLOW offers the following options – you pick the one that meets your needs.

Factory Remanufacturing Program

- No need to return your pump until you receive your new replacement pump.
- Substantial savings over new pump.
- All remanufactured pumps must pass a 25 point inspection process and undergo performance testing.
- Only OEM genuine parts are used in the remanufacturing process and you receive a guaranteed warranty and quality certificate with each pump.
- New pumps eligible for Remanufacturing Program twice.

Factory Inspect and Advise Program

- Return your pump for complete factory inspection.
- Cost effective options to match your performance/budget needs.
- Your pump body may be remachined up to 6 times.
- Replacement rotors and parts available.
- Factory warranty.

SPX FLOW Certified Pump Repair Centers

- Local distributors with factory trained and certified service technicians.
- Quick local response.
- Genuine WCB parts.
- Flexible repair programs to meet your needs.
- Local warranty.

SPX FLOW Warranty

Seller warrants its products to be free from defects in materials and workmanship for a period of one (1) year from the date of shipment. This warranty shall not apply to products which require repair or replacement due to normal wear and tear or to products which are subjected to accident, misuse or improper maintenance. This warranty extends only to the original buyer. Products manufactured by others but furnished by seller are exempted from this warranty and are limited to the original manufacturer's warranty.

SPX FLOW

611 Sugar Creek Road

Delavan, WI 53115

P: (262) 728-1900 or (800) 252-5200

F: (262) 728-4904 or (800) 252-5012

E: wcb@spxflow.com

SPX FLOW reserves the right to incorporate our latest design and material changes without notice or obligation.

Design features, materials of construction and dimensional data, as described in this bulletin, are provided for your information only and should not be relied upon unless confirmed in writing. Please contact your local sales representative for product availability in your region. For more information visit www.spxflow.com.

The green ">" is a trademark of SPX FLOW, Inc.