



LOFMEM™ N absolute rated membrane filter cartridges

Eaton's LOFMEM N membrane filter cartridges have superior chemical compatibility making them the preferred choice for high purity water filtration, organic solvents and aqueous co-solvent systems and other water and process applications.

LOFMEM N membrane filter cartridges use absolute rated Nylon 6.6 membrane that is inherently hydrophilic and has excellent chemical resistance. LOFMEM N is manufactured without the use of glues, adhesives or wetting agents, ensuring high purity in every application.

Features and benefits

- Hydrophilic Nylon 6.6 membrane
- Superior chemical resistance
- Absolute rated filtration
- All-thermal bonded construction, no adhesives
- No wetting agents

Specifications

Filter material
Hydrophilic Nylon 6.6 membrane

Inner core, cage, end caps
Polypropylene

Support layer
Polypropylene

Gaskets/O-rings
Silicone (standard), EPDM, FKM, FEP/FKM (O-rings only)

Retention ratings
0.20, 0.45, 1 µm

Technical data

Nominal lengths
10", 20", 30", 40"
(254, 508, 762, 1016 mm)

Outside diameter
2.7" (69 mm)

Inside diameter
1.1" (28 mm)

Surface area
5.9 ft² (0.55 m²) per 10" element

Max. operating temperature
176 °F (80 °C)

Max. differential pressure
58 psid @ 70 °F (4.0 bar @ 21 °C)

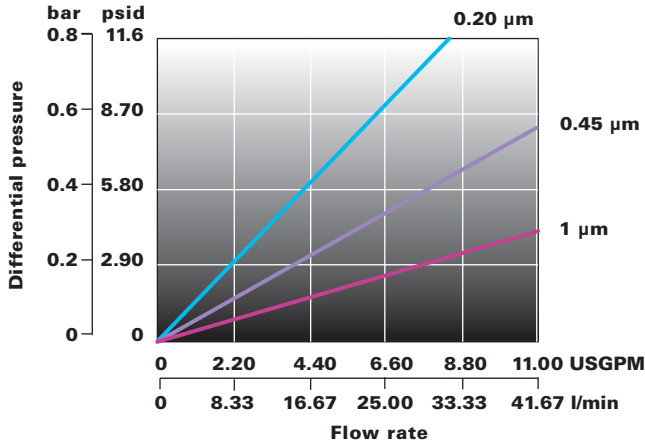


Powering Business Worldwide

LOFMEM N membrane filter cartridges

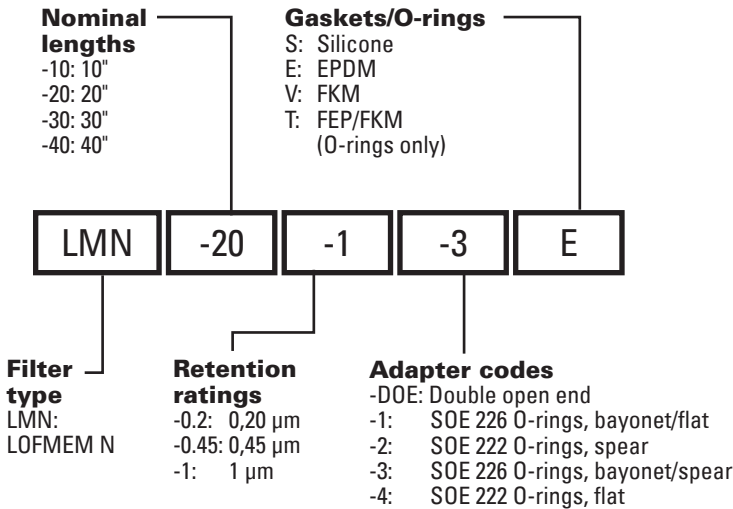
Flow rate*

(70 °F/21 °C per 10" element for water)



* For liquids other than water, multiply pressure drop by fluid viscosity in centipoise.

Ordering code



North America
 44 Apple Street
 Tinton Falls, NJ 07724
 Toll Free: 800 656-3344
 (North America only)
 Tel: +1 732 212-4700

China
 No. 3, Lane 280,
 Linhong Road
 Changning District, 200335
 Shanghai, P.R. China
 Tel: +86 21 5200-0099

Europe/Africa/Middle East
 Auf der Heide 2
 53947 Nettersheim, Germany
 Tel: +49 2486 809-0

Singapore
 100G Pasir Panjang Road #07-08
 Singapore 118523
 Tel: +65 6825-1668

Friedensstraße 41
 68804 Altludersheim, Germany
 Tel: +49 6205 2094-0
 An den Nahewiesen 24
 55450 Langenlonsheim, Germany
 Tel: +49 6704 204-0

Brazil
 Av. Ermano Marchetti, 1435 -
 Água Branca, São Paulo - SP,
 05038-001, Brasil
 Tel: +55 11 3616-8461

For more information, please
 email us at filtration@eaton.com
 or visit www.eaton.com/filtration

© 2020 Eaton. All rights reserved. All trademarks and registered trademarks are the property of their respective owners. All information and recommendations appearing in this brochure concerning the use of products described herein are based on tests believed to be reliable. However, it is the user's responsibility to determine the suitability for his own use of such products. Since the actual use by others is beyond our control, no guarantee, expressed or implied, is made by Eaton as to the effects of such use or the results to be obtained. Eaton assumes no liability arising out of the use by others of such products. Nor is the information herein to be construed as absolutely complete, since additional information may be necessary or desirable when particular or exceptional conditions or circumstances exist or because of applicable laws or government regulations.

US
 EF-LMN
 06-2020