



LOFPLEAT™ EE economically efficient pleated filter cartridge

Eaton's LOFPLEAT EE all-polypropylene filter cartridges with an economically efficient design are suitable for a wide range of process applications.

This disposable filter element can be used for a wide range of applications. The pleated polypropylene filter material provides a large filtration surface area which allows for maximized flow rate in the system.

Features and benefits

- Filtration efficiency of 90%
- Retention ratings from 0.20 to 10 µm
- Available in lengths up to 40"
- Pore structure design resists dirt unloading
- Polypropylene construction and multiple gasket/O-ring options for broad application range

Specifications

Filter material

Polypropylene

Inner core, cage, end caps

Polypropylene

Gaskets/O-rings

Silicone (standard), EPDM, FKM, FEP/FKM (O-rings only)

Retention ratings

0.20, 1, 5, 10 µm
@ 90% efficiency

Technical data

Nominal lengths

10", 20", 30", 40"
(254, 508, 762, 1016 mm)

Outside diameter

2.7" (69 mm)

Inside diameter

1.1" (28 mm)

Surface area

5.1 ft² (0.47 m²) per 10" element

Max. operating temperature

176 °F (80 °C)

Max. differential pressures

58 psid @ 70 °F (4.0 bar @ 21 °C)
35 psid @ 176 °F (2.4 bar @ 80 °C)

Recommended differential change-out pressure for disposal

35 psid (2.4 bar)

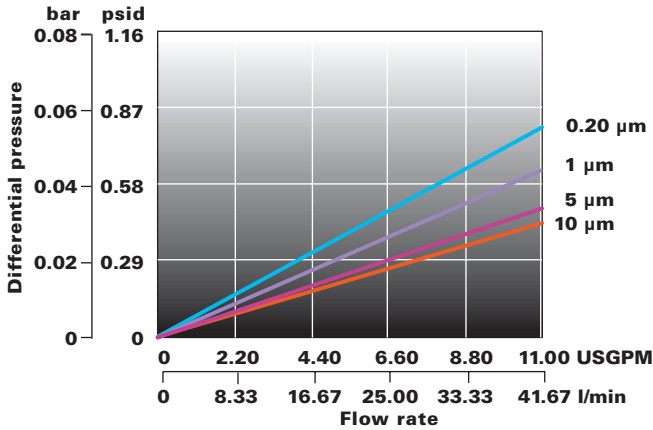


Powering Business Worldwide

LOFPLEAT EE economically efficient pleated filter cartridges

Flow rate*

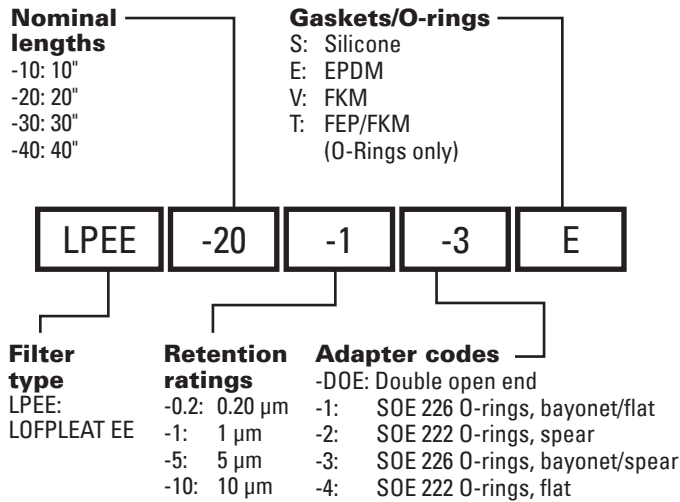
(70°F/21 °C per 10" element for water)



LOFPLEAT EE filter cartridges are available with a variety of gasket, O-ring and end cap configurations.

* For liquids other than water, multiply pressure drop by fluid viscosity in centipoise.

Ordering code



North America
44 Apple Street
Tinton Falls, NJ 07724
Toll Free: 800 656-3344
(North America only)
Tel: +1 732 212-4700

China
No. 3, Lane 280,
Linhong Road
Changning District, 200335
Shanghai, P.R. China
Tel: +86 21 5200-0099

Europe/Africa/Middle East
Auf der Heide 2
53947 Nettersheim, Germany
Tel: +49 2486 809-0

Singapore
100G Pasir Panjang Road #07-08
Singapore 118523
Tel: +65 6825-1668

Friedensstraße 41
68804 Altlußheim, Germany
Tel: +49 6205 2094-0
An den Nahewiesen 24
55450 Langenlonsheim, Germany
Tel: +49 6704 204-0

Brazil
Av. Ermano Marchetti, 1435 -
Água Branca, São Paulo - SP,
05038-001, Brasil
Tel: +55 11 3616-8461

For more information, please email us at filtration@eaton.com or visit www.eaton.com/filtration

US
EF-LPEE
06-2020

© 2020 Eaton. All rights reserved. All trademarks and registered trademarks are the property of their respective owners. All information and recommendations appearing in this brochure concerning the use of products described herein are based on tests believed to be reliable. However, it is the user's responsibility to determine the suitability for his own use of such products. Since the actual use by others is beyond our control, no guarantee, expressed or implied, is made by Eaton as to the effects of such use or the results to be obtained. Eaton assumes no liability arising out of the use by others of such products. Nor is the information herein to be construed as absolutely complete, since additional information may be necessary or desirable when particular or exceptional conditions or circumstances exist or because of applicable laws or government regulations.