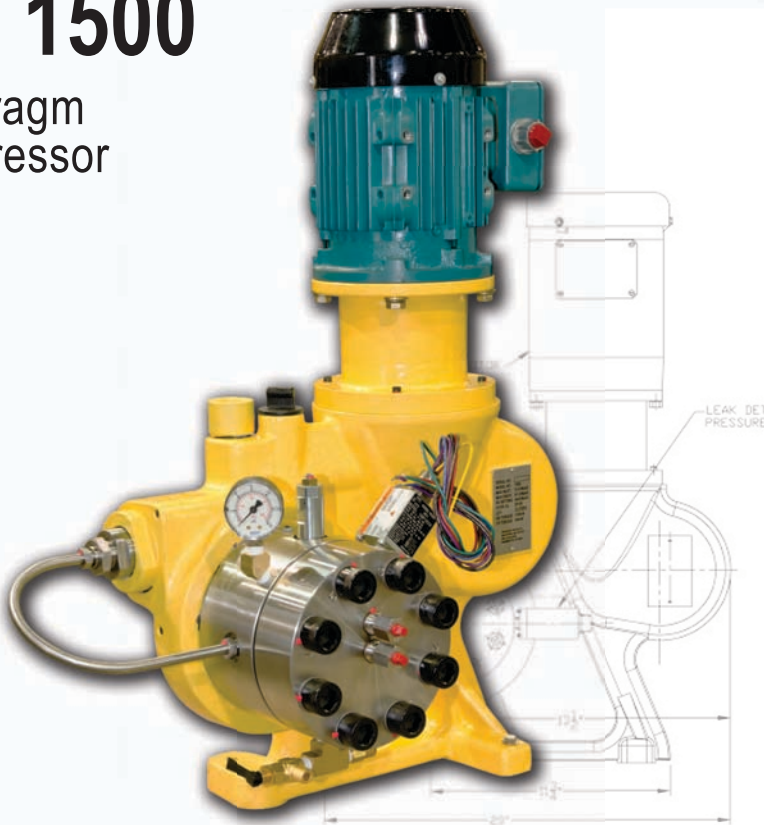


The PPI 1500 Series Diaphragm Compressor for pressures up to 6,000 psig



PPI 1500

Diaphragm Compressor



Specifications

Maximum Working Pressure	6,000 psig	
Maximum Motor Size	1.5 hp	
Mounting	In Line Vertical	
Maximum Displacement	0.17 ft ³ /min	
Speed Range	155 to 185 rpm	
Maximum Discharge Temperature	450°F	232°C
Stroke Length	1.45 in.	
Process Connection Flanges	0.25 to 0.25 in	
Piston Range	0.4 to 1.2 in	
Crankshaft Diameter	0.5 in	
Main Bearing Type	Ball	
Crank Pin Bearing Type	Needle	
Lubrication Type	Splash	
Sump Capacity-Quarts	1	
Oil Cooler	Not Required	
Cooling Type	Not Required	
Materials of Construction	In Line Vertical	
	Process Side: SS	
	Crankcase: Cast Iron	
	Wrist Pin: Tool Steel	
	Connecting Rod: Aluminum	

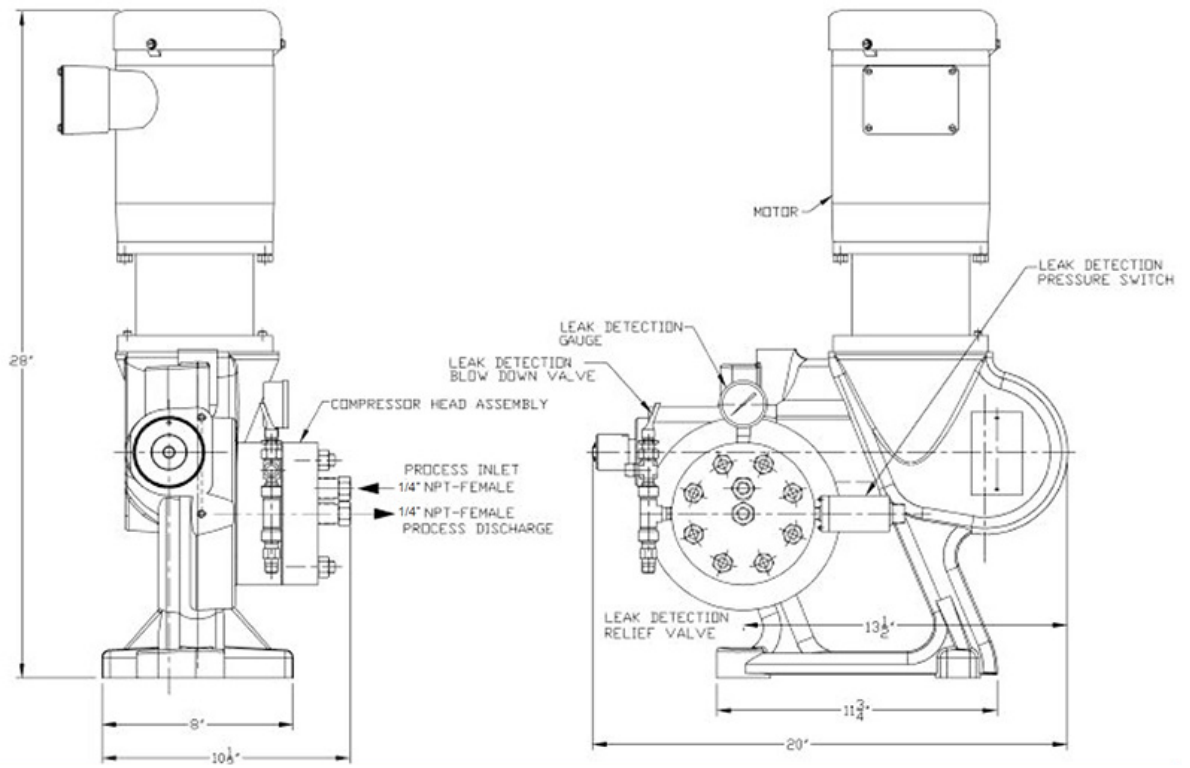
PPI 1500 Series Diaphragm Compressors are ideal for pilot plant and lesser quantity cylinder filling applications where high purity or hazardous gases are used in lower capacities.

- Displacements to 0.025 cfm (0.7 lpm)
- Inlet pressure: 0-2450 psig (0-170 barg)
- Discharge pressures to 6000 psig (415 barg)

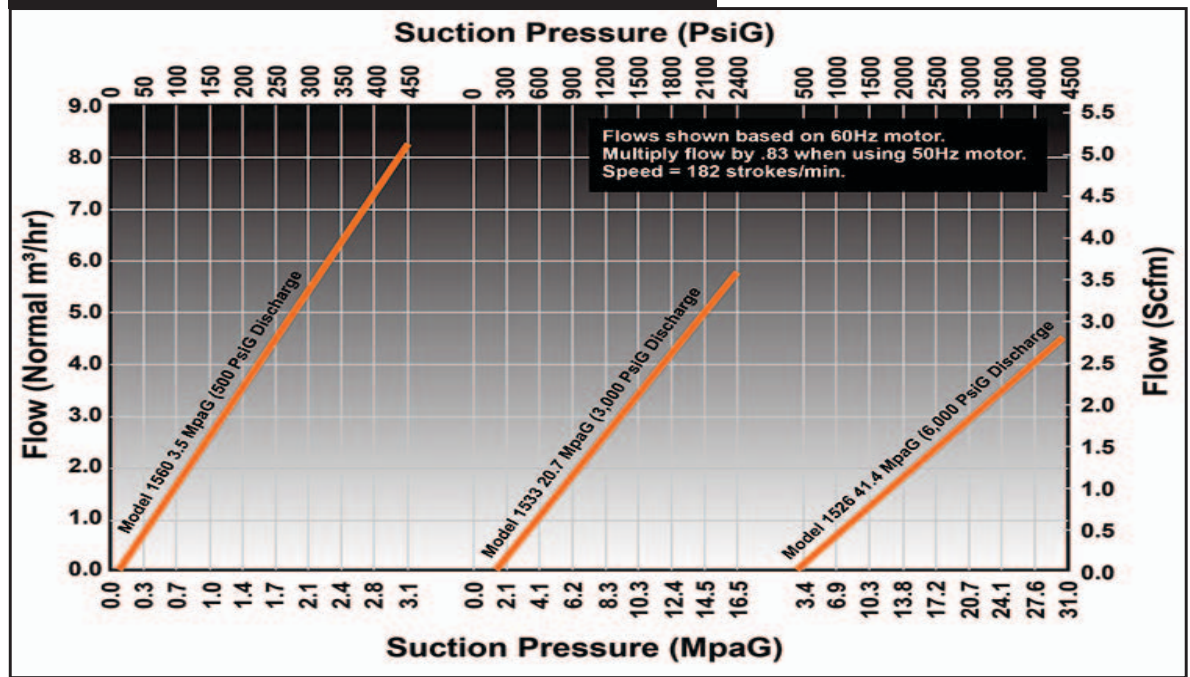
APPLICATIONS

- High Purity Gasses & Hazardous Gases such as:
 - Hydrogen
 - Krypton
 - Xenon
 - Argon
 - Fluorine
 - Oxygen
 - NF₃
 - Helium
 - ...and more





Sundyne PPI-1500 Compressors



Visit our website at: www.sundyne.com