

# TECHNICAL HANDBOOK

Heavy Duty Slurry Pump

# KPRO<sup>®</sup>



# WILFLEY<sup>®</sup>



Wilfley Sealing  
Technology



No Flush Water  
Required

# WILFLEY SEALING TECHNOLOGY

Wilfley Sealing Technology is the premier sealing solution for the toughest pumping applications and has proven to be a superior alternative to conventional sealing systems like mechanical seals and packing. It has been the foundation for every Wilfley pump design, dating back to the original Model C slurry pump in 1919.



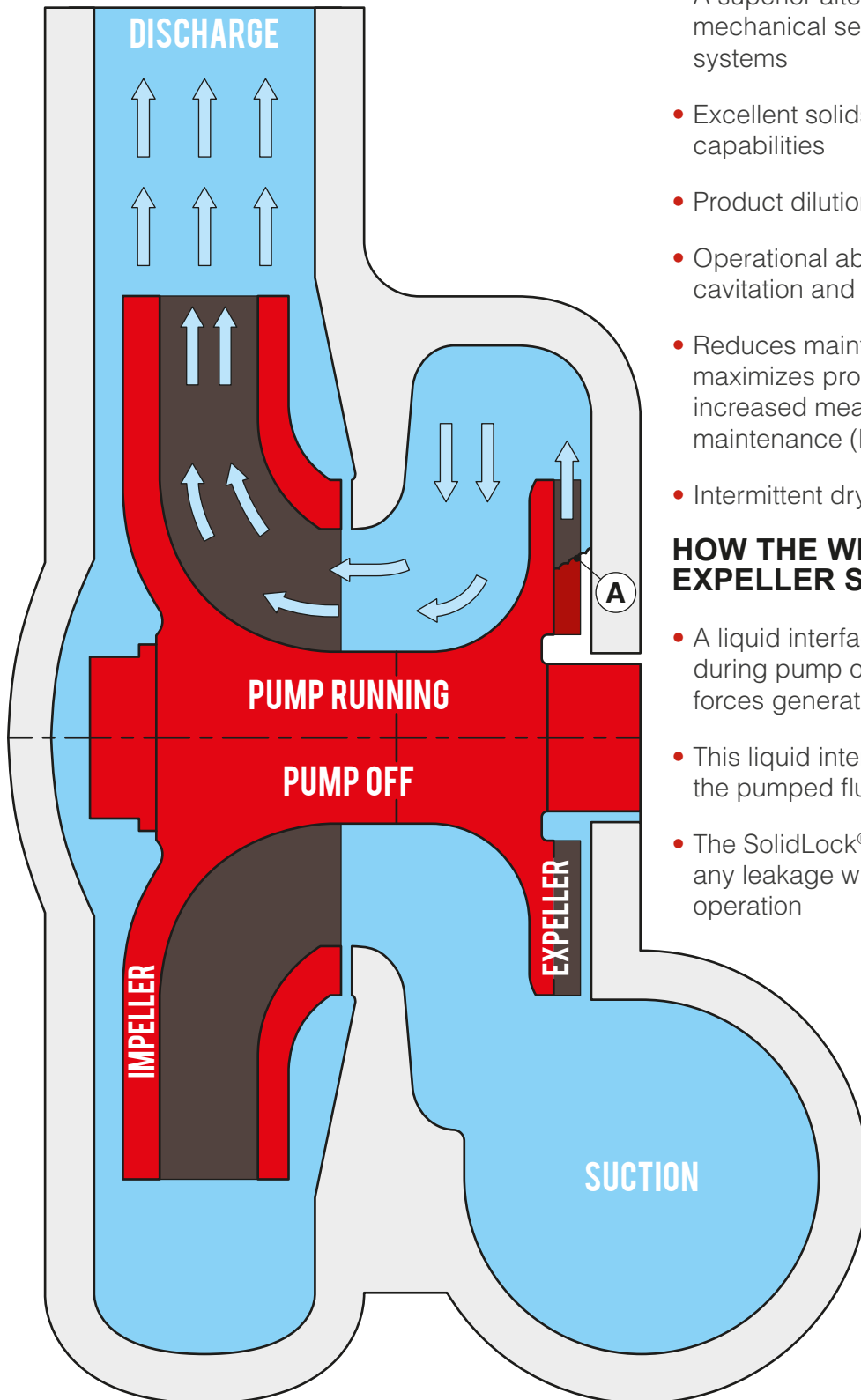
Wilfley Sealing Technology provides **leak free** operation at all times by partnering a dynamic seal (page 2) with a static seal (page 3). The dynamic seal prevents leakage while the pump is running and the static seal prevents leakage while the pump is off.

**The harmony between the dynamic and static seal is what makes Wilfley Sealing Technology excel beyond conventional seals.**



Wilfley Expellers

# WILFLEY DYNAMIC EXPELLER SEAL



## FEATURES & BENEFITS:

- A superior alternative to packing / mechanical seals and associated flush systems
- Excellent solids / slurry handling capabilities
- Product dilution is eliminated
- Operational abuse tolerant, e.g. cavitation and vibration
- Reduces maintenance costs and maximizes production time through increased mean time between maintenance (MTBM)
- Intermittent dry running capability

## HOW THE WILFLEY DYNAMIC EXPELLER SEAL WORKS:

- A liquid interface **(A)** is established during pump operation by centrifugal forces generated by the expeller
- This liquid interface effectively isolates the pumped fluid from the shaft
- The SolidLock<sup>®</sup> static seal prevents any leakage when the pump isn't in operation

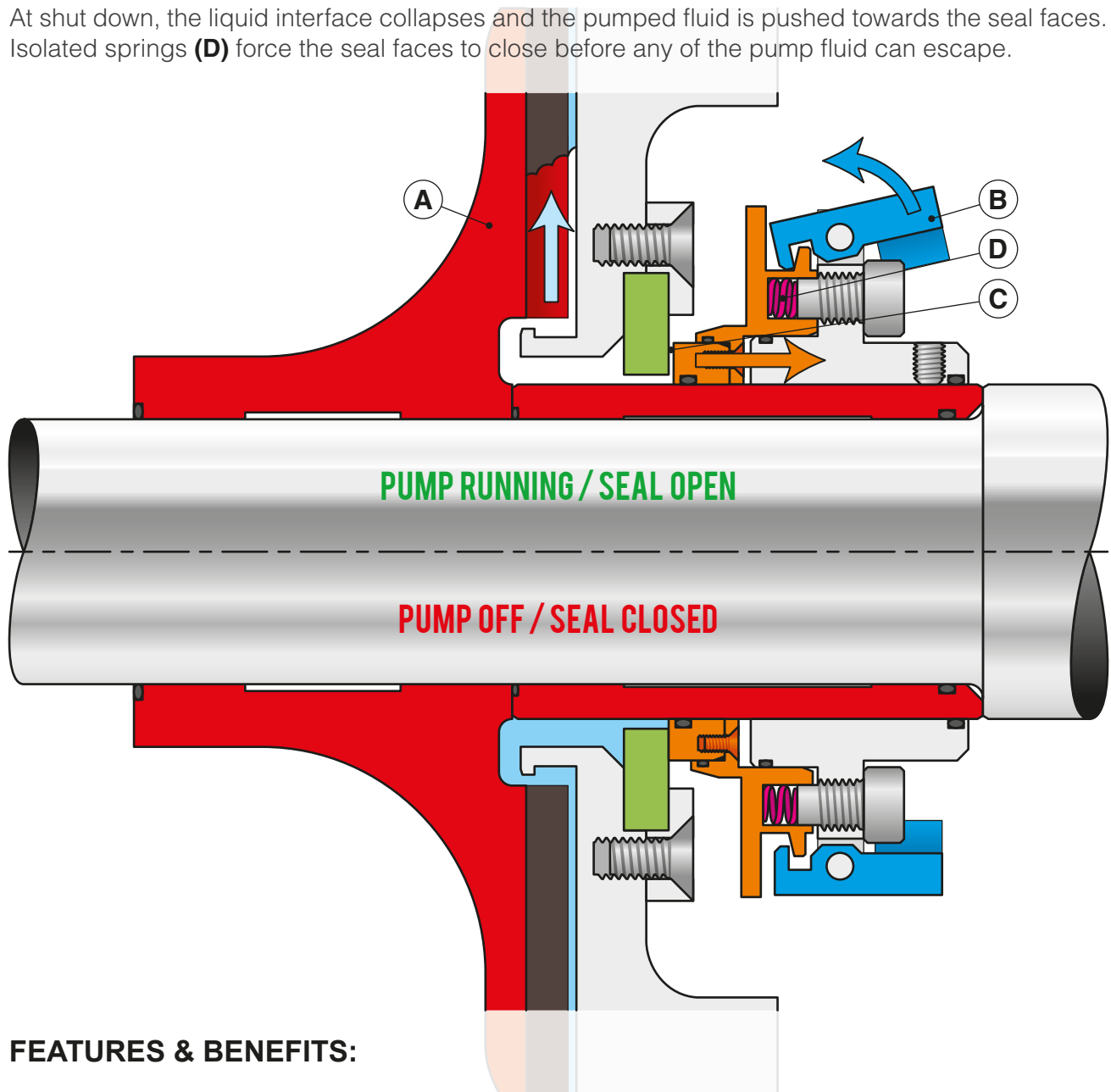
# WILFLEY SolidLock® STATIC SEAL



## HOW THE SolidLock® SEAL WORKS:

At start up, the expeller (A) establishes a liquid interface that pulls the pumped fluid away from the seal faces. As this happens, centrifugal force moves weights (B) outwards to open seal faces (C) and prevent any rubbing contact.

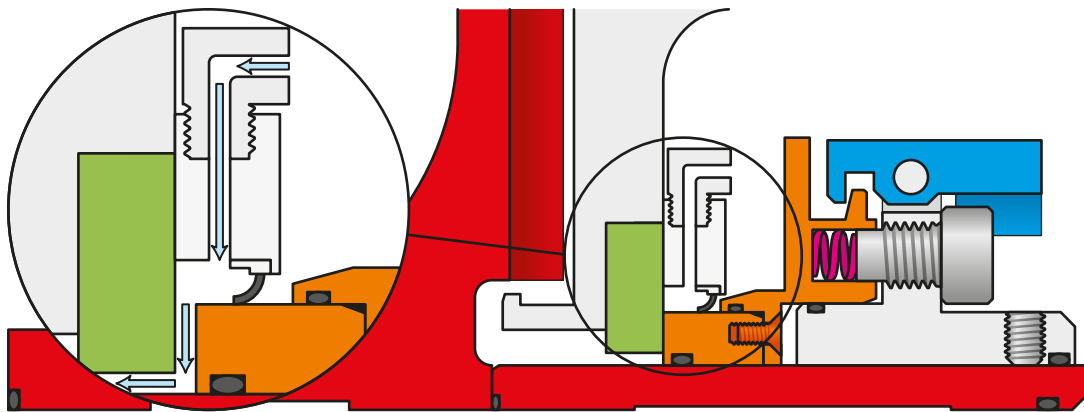
At shut down, the liquid interface collapses and the pumped fluid is pushed towards the seal faces. Isolated springs (D) force the seal faces to close before any of the pump fluid can escape.



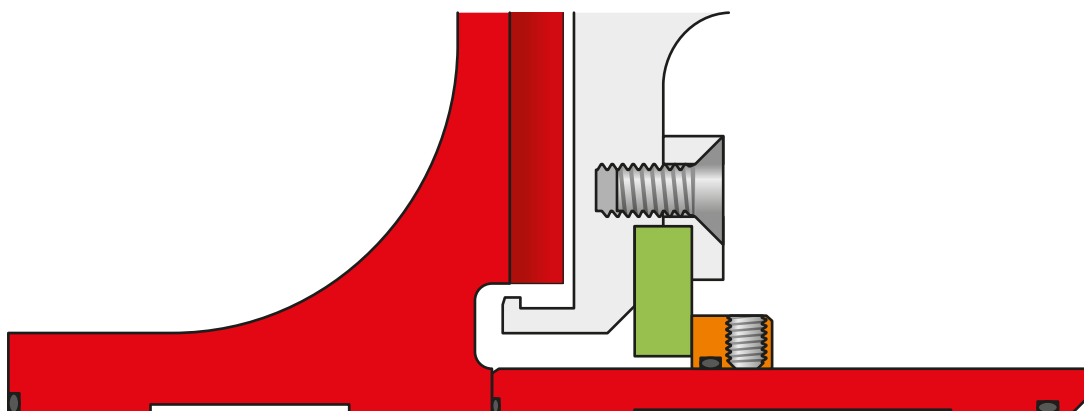
## FEATURES & BENEFITS:

- **Leak free operation** - Precise and controlled opening and closing of the seal faces
- **Reliable and repeatable seal actuation** - The spring force is specifically set for your application and can be easily adjusted in the field if necessary
- **Easy to install / maintain** - Simple and effective design, no special tools needed

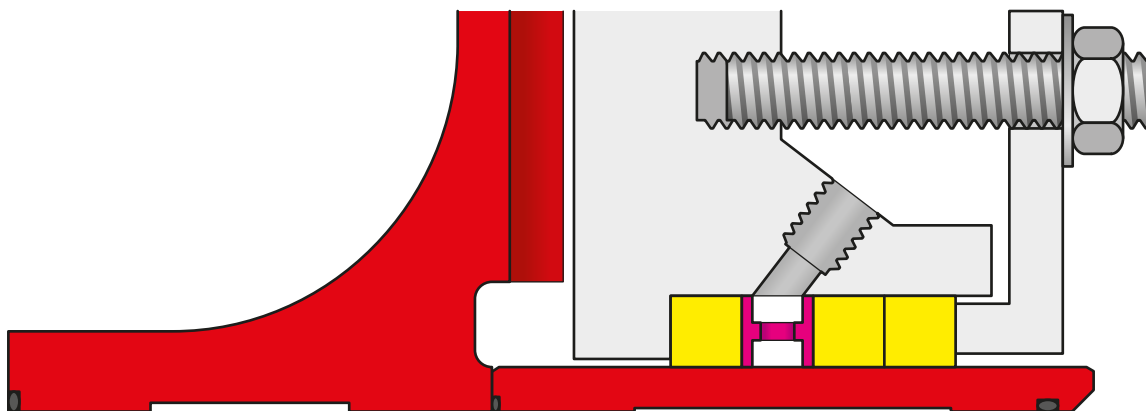
# Kpro<sup>®</sup> SLURRY PUMP SEALING OPTIONS



**SolidLock<sup>®</sup> with Purge Port**  
(Start up and / or Shut down)



**SolidLock<sup>®</sup> Lite**  
(Diaphragm Seal with Expeller)



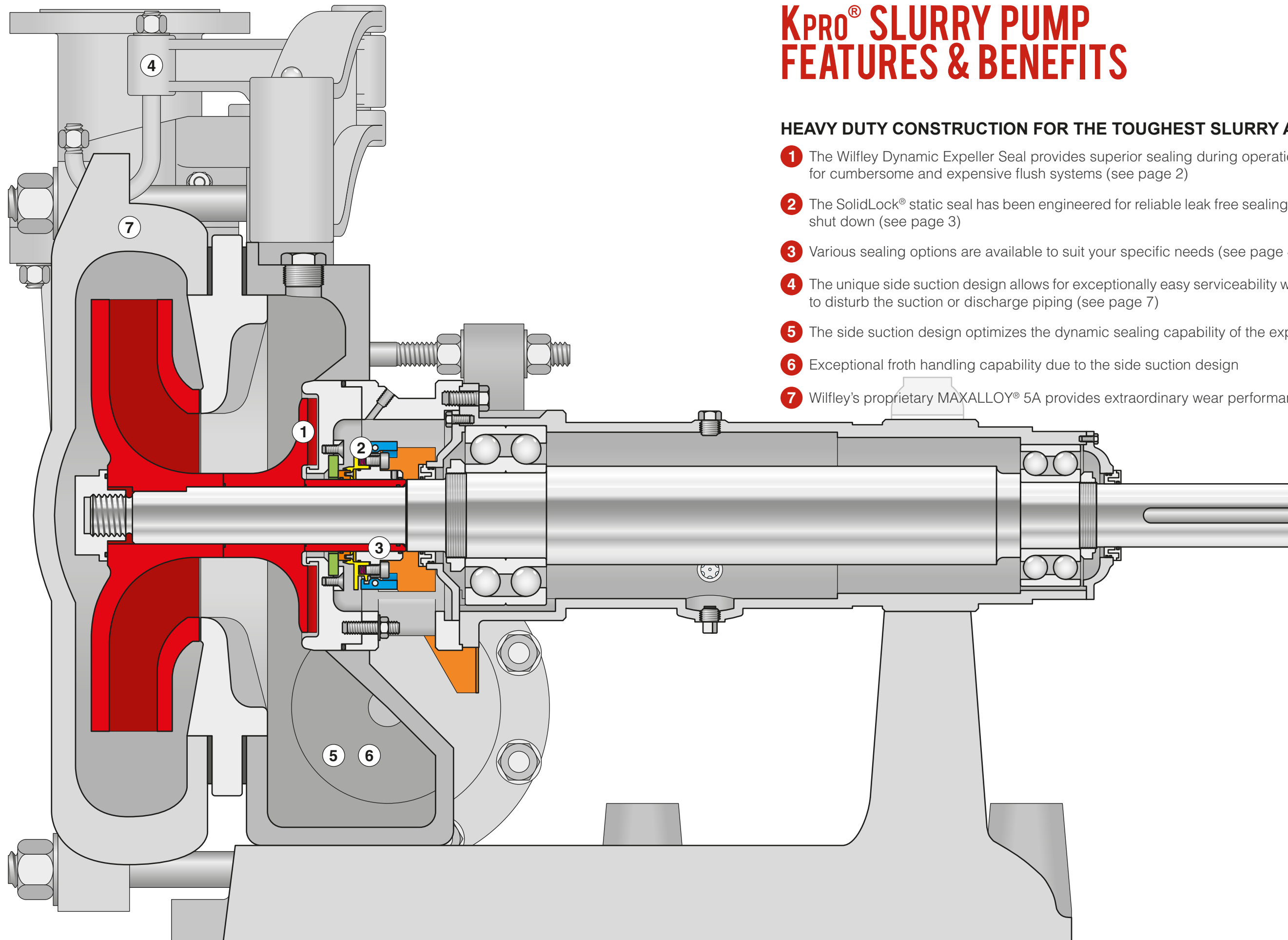
**Expeller with Packing**

*The Kpro<sup>®</sup> slurry pump can also be fitted with a selection of mechanical seals.  
Contact Wilfley for more information.*

# KPRO<sup>®</sup> SLURRY PUMP FEATURES & BENEFITS

## HEAVY DUTY CONSTRUCTION FOR THE TOUGHEST SLURRY APPLICATIONS

- 1 The Wilfley Dynamic Expeller Seal provides superior sealing during operation without the need for cumbersome and expensive flush systems (see page 2)
- 2 The SolidLock<sup>®</sup> static seal has been engineered for reliable leak free sealing during start up and shut down (see page 3)
- 3 Various sealing options are available to suit your specific needs (see page 4)
- 4 The unique side suction design allows for exceptionally easy serviceability without ever needing to disturb the suction or discharge piping (see page 7)
- 5 The side suction design optimizes the dynamic sealing capability of the expeller (see page 7)
- 6 Exceptional froth handling capability due to the side suction design
- 7 Wilfley's proprietary MAXALLOY<sup>®</sup> 5A provides extraordinary wear performance (see page 8)



# BENEFITS OF A SIDE SUCTION SLURRY PUMP

## A MAINTENANCE ENGINEER'S DELIGHT

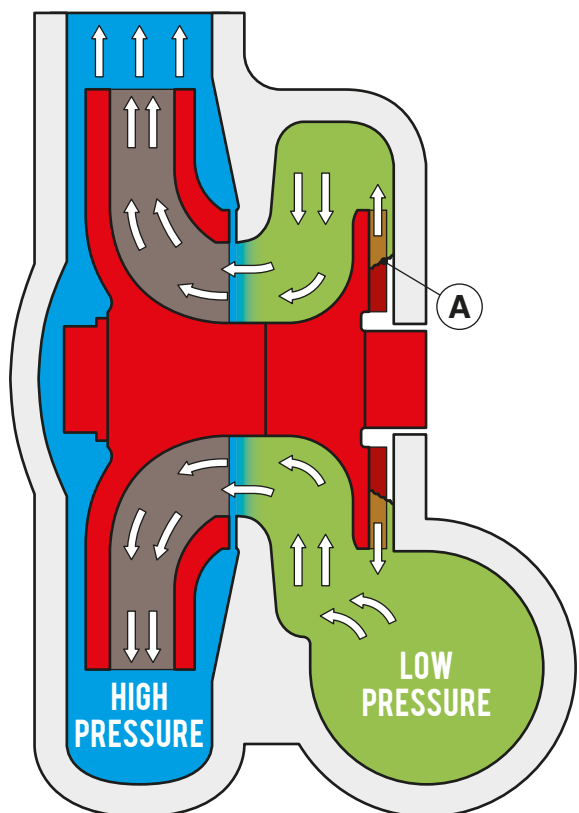
- Case can be easily removed without disturbing suction or discharge piping
- Crane assembly supports the full weight of the case during maintenance
- Simple serviceability greatly reduces downtime
- Suction piping can be located on either side of the pump for connection flexibility
- The unused suction flange can be accessed to easily inspect and clean wet end components
- Optimizes pump footprint



## ENGINEERED AROUND THE WILFLEY DYNAMIC EXPELLER SEAL

The side suction design was originally developed by A.R. Wilfley to optimize the dynamic sealing capability of the expeller.

- The wet end is split into two chambers: the case (blue) and the intake chamber (green)
- The pressure in the intake chamber is significantly lower because it isn't affected by the discharge head
- The lower pressure makes it easier for the expeller to establish and maintain the liquid interface **(A)**
- This allows the Wilfley Dynamic Expeller Seal to hold back higher intake heads at lower speeds



# BREAKTHROUGH MATERIALS

Wilfley works discreetly with key suppliers, such as Western Foundries, to provide a variety of engineered metallurgies and proprietary processes for the longest possible pump and parts life and reliability.

## WILFLEY KNOWS METALLURGY

This also allows Wilfley to provide very competitive lead times for both complete pumps and spare parts.

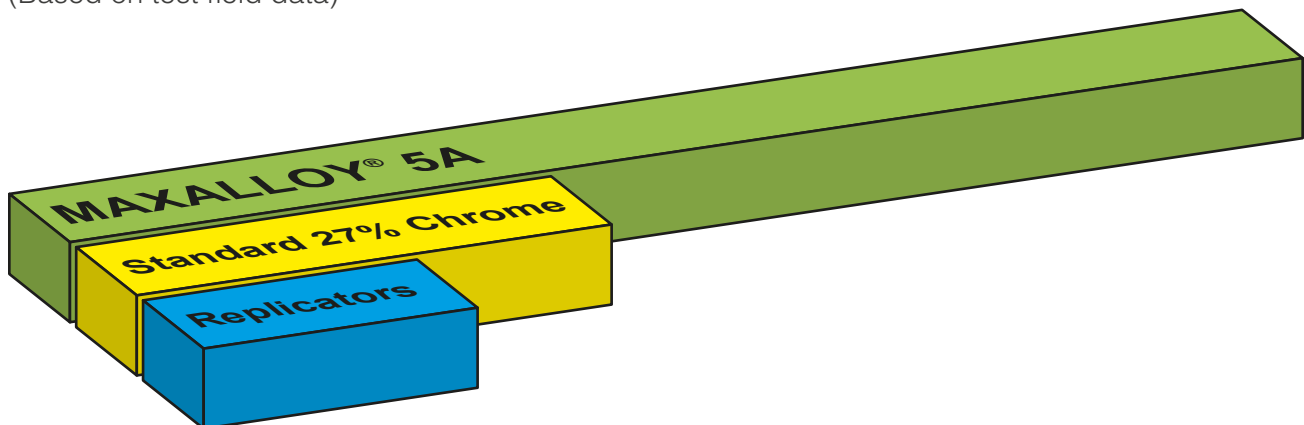
## MAXALLOY® 5A

Wilfley's proprietary MAXALLOY® 5A was developed specifically for the toughest slurry applications, combining unsurpassed hardness for wear resistance with superior toughness for durability.

Through special proprietary processing, chromium carbides are evenly distributed in a fully martensitic matrix with an average hardness of **740 HBN**. The microstructure is designed to avoid any retained austenite, delta ferrite and secondary carbides resulting in extraordinary wear performance as compared to commonly available high chrome irons.

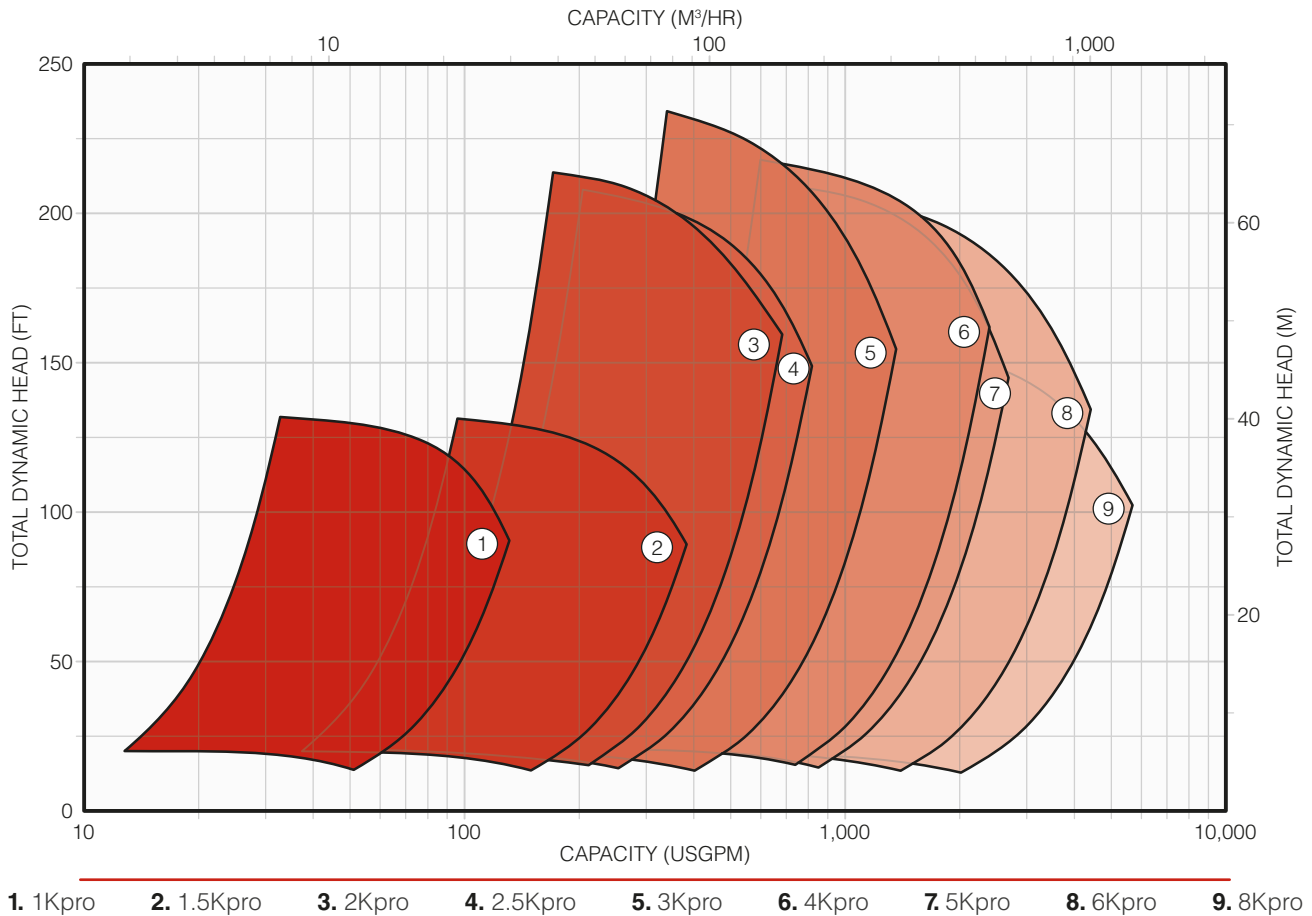
### AVERAGE SERVICE LIFE

(Based on test field data)





# Kpro<sup>®</sup> SLURRY PUMP CAPACITIES



## CONSTRUCTION DETAILS

		1Kpro	1.5Kpro	2Kpro	2.5Kpro	3Kpro	4Kpro	5Kpro	6Kpro	8Kpro
<b>GENERAL</b>										
Bare Pump Weight	lbs	430	450	680	690	1030	1675	2150	2550	4150
	kg	195	204	308	313	467	760	975	1157	1882
Max Passable Solids Size	in	0.25	0.375	0.5	0.5	0.5	0.75	1	1	1
	mm	6	10	13	13	13	19	25	25	25
<b>SHAFT</b>										
Diameter at Impeller	in	1.55	1.55	1.62	1.62	2.06	2.38	2.38	2.62	3.25
	mm	39	39	41	41	52	60	60	67	83
Diameter at Coupling	in	1.44	1.44	1.69	1.69	2.13	2.19	2.63	2.63	3.19
	mm	36	36	43	43	54	56	67	67	81
<b>BEARINGS</b>										
Radial		3310	3310	3310	3310	3312	3314	3314	3316	3318
Thrust		3308	3308	3311	3311	7314	7317	7318	7319	7321

# DIMENSIONS

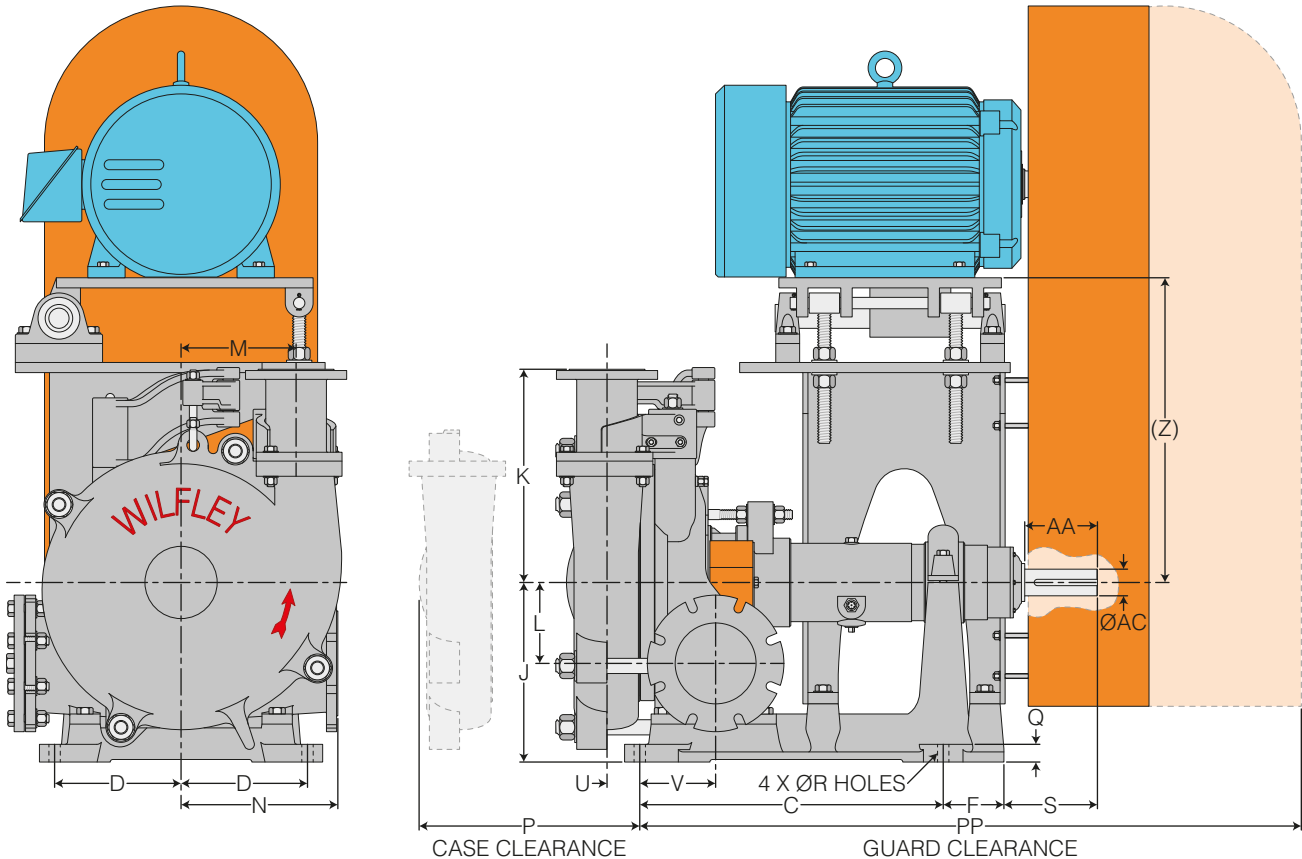
## PUMP DIMENSIONS

Inches (Millimeters)

Pump Size	Suction Flange	Discharge Flange	C	D	F	J	K	L	M	N	P	Q	R	S	U	V	Z	AA	AC	PP	KEYWAY
1Kpro	2 (51)	1 (25)	23.75 (603)	7 (178)	4.5 (114)	10 (254)	11 (279)	1.5 (38)	5.25 (133)	10.25 (260)	10.5 (267)	1.5 (38)	0.75 (19)	2.5 (64)	1.13 (29)	3.56 (90)	18.06 (459)	3.25 (83)	1.44 (37)	46 (1168)	0.38 x 0.38 (10 x 10)
1.5Kpro	2.5 (64)	1.5 (38)	23.75 (603)	7 (178)	4.5 (114)	10 (254)	11 (279)	1.5 (38)	5.5 (140)	10.25 (260)	10.5 (267)	1.5 (38)	0.75 (19)	2.5 (64)	1.25 (32)	3.56 (90)	18.06 (459)	3.25 (83)	1.44 (37)	50 (1270)	0.38 x 0.38 (10 x 10)
2Kpro	4 (102)	2 (51)	26.38 (670)	8.63 (219)	4.38 (111)	11.59 (294)	13.5 (343)	1.75 (44)	6.5 (165)	11.75 (298)	11 (279)	1.75 (44)	0.75 (19)	4.13 (105)	2.38 (60)	3.06 (78)	16.81 (427)	4.5 (114)	1.69 (43)	52 (1321)	0.38 x 0.38 (10 x 10)
2.5Kpro	4 (102)	2.5 (64)	26.38 (670)	8.63 (219)	4.38 (111)	11.59 (294)	13.63 (346)	1.75 (44)	6.5 (165)	11.75 (298)	11 (279)	1.75 (44)	0.75 (19)	4.13 (105)	2.63 (67)	3.06 (78)	16.81 (427)	4.5 (114)	1.69 (43)	52 (1321)	0.38 x 0.38 (10 x 10)
3Kpro	5 (127)	3 (76)	26.88 (683)	9.88 (251)	2.75 (70)	12.75 (324)	14.75 (375)	3.5 (89)	7.88 (200)	13.5 (343)	15.25 (387)	1.75 (44)	0.75 (19)	3.94 (100)	4.06 (103)	3.81 (97)	16.81 (427)	4.5 (114)	2.13 (54)	51 (1295)	0.5 x 0.5 (13 x 13)
4Kpro	6 (152)	4 (102)	26 (660)	11.56 (294)	6.25 (159)	15.88 (403)	19.63 (499)	5 (127)	9.75 (248)	15 (381)	15 (381)	2.5 (64)	0.75 (19)	9 (229)	4 (102)	5.5 (140)	26.13 (664)	6.44 (164)	2.19 (56)	63 (1600)	0.5 x 0.5 (13 x 13)
5Kpro	8 (203)	5 (127)	30 (762)	12.5 (318)	6 (152)	18 (457)	21.38 (543)	8 (203)	11.38 (289)	15.5 (394)	23 (584)	2 (51)	0.88 (22)	9.25 (235)	3.25 (83)	7.5 (191)	30 (762)	7.19 (183)	2.63 (67)	68 (1727)	0.63 x 0.63 (16 x 16)
6Kpro	10 (254)	6 (152)	35.13 (892)	13.5 (343)	5.38 (137)	18.75 (476)	31 (787)	5.5 (140)	12.25 (311)	18.88 (480)	19 (483)	2.25 (57)	0.88 (22)	10.38 (264)	3.38 (86)	8.38 (213)	26 (660)	7.19 (183)	2.63 (67)	75 (1905)	0.63 x 0.63 (16 x 16)
8Kpro	12 (305)	8 (203)	40 (1016)	18.5 (470)	8.75 (222)	22 (559)	34.63 (880)	9.5 (241)	13.75 (349)	20 (508)	25 (635)	3 (76)	0.88 (22)	10.63 (270)	4.75 (121)	11.5 (292)	26 (660)	8.31 (211)	3.19 (81)	80 (2032)	0.75 x 0.75 (19 x 19)

These dimensions are not for construction. Certified dimension prints are available for your specific installation

The suction can be located on either side of the pump to specifically meet your needs.



**Direct drive configurations are also available. Contact Wilfley for more information.**

**VISIT [WWW.WILFLEY.COM](http://WWW.WILFLEY.COM)**

to see our full range of pumping solutions



**A9 Chemical Pump**



**EMW<sup>®</sup> Slurry Pump**

**WILFLEY<sup>®</sup>**  
**HEAVY DUTY**  
**CENTRIFUGAL PUMPS**

5870 E. 56th Avenue, Commerce City, CO 80022, USA

Toll Free: 1-800-525-9930 • Telephone: +1 (303) 779-1777 • Fax: +1 (303) 779-1277

[pumps@wilfley.com](mailto:pumps@wilfley.com) • [www.wilfley.com](http://www.wilfley.com)