



Alfa Laval BladeClean

Clean the underside of tank agitator blades quickly and effectively

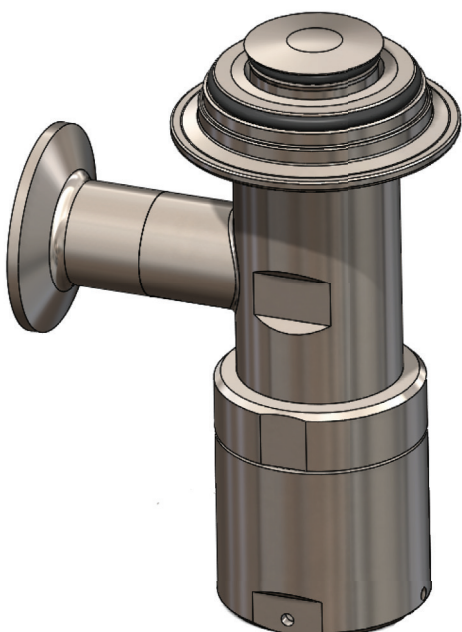
Application

Cleaning processing tanks with center obstructions can be tricky, costly, and time-consuming. However, with the new Alfa Laval BladeClean, it doesn't have to be. This tank cleaning device is perfect for any size tank with agitator blades. Incorporating this device into your tank cleaning process will enable your company to eliminate confined space entry and drastically reduce time spent cleaning, boosting overall tank productivity.

Working principle

Designed for permanent installation, the retractable Alfa Laval BladeClean is installed into the bottom of the tank and when activated, operates at 2 bar (30 psi) and higher, causing a cone of water jets up to 7.6 m (25') to spray upward at the underside of the tank agitator blades. Reaching up to 4.5 kg (10 lbs.) of force, the water jets clean the agitator blades of product residue. With a positive seal built in to prevent product migration, pair this device with your favorite Alfa Laval Gamajet or Toftejorg rotary impingement tank cleaning device for a fast and effective clean-in-place process.

Graphic below depicts device when activated (shown without HTC weld adapter): 5-8 mm pop-up



TECHNICAL DATA

Lubricant Self-lubricating
 Max. throw length 6 m - 9 m (20 - 30 ft.)

Pressure

Working pressure 1.5 - 10 bar (22 - 145 psi)
 Recommended pressure 2 - 5 bar (29 - 73 psi)

PHYSICAL DATA

Materials
 1.4404 (316L), FDA-approved EPDM, PTFE, PPS

Weight 1.27 kg (2.8 lbs.)
 Surface finish 0.5 µm (20 Ra)

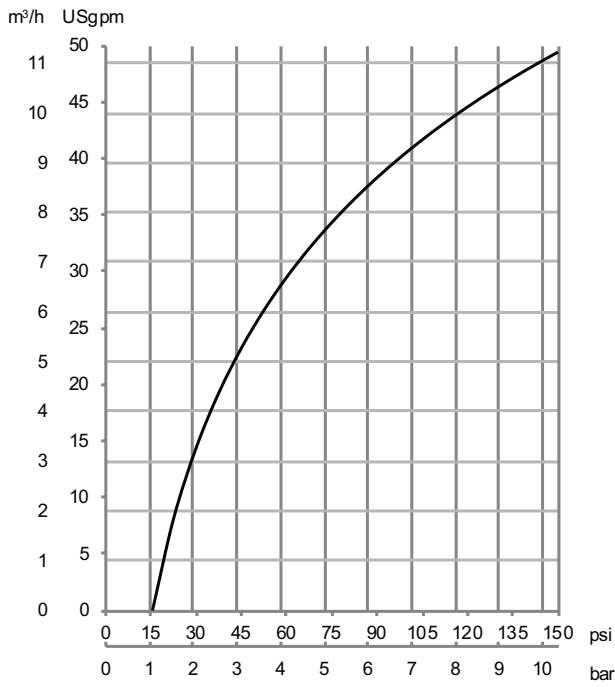
Connections

Standard thread 1" tri-clamp standard
 Alfa Laval tank connection

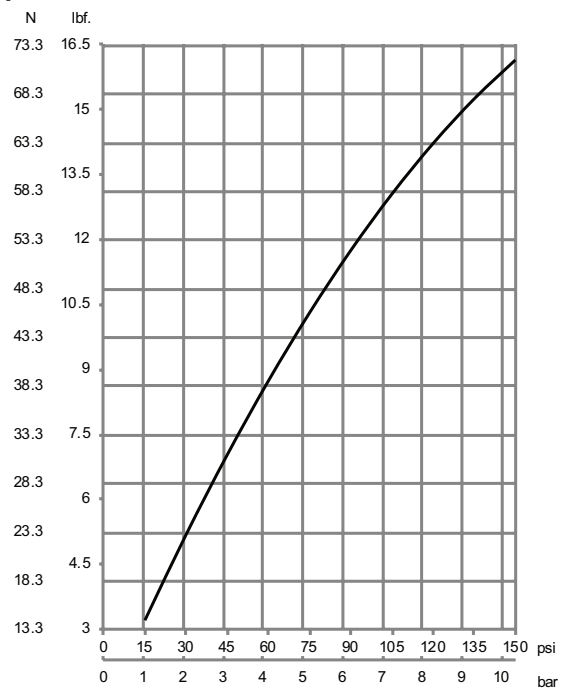
Includes

Mounting materials..... Alfa Laval Hygienic Tank Adapter, EPDM O-ring, Clamp, Blind Cap

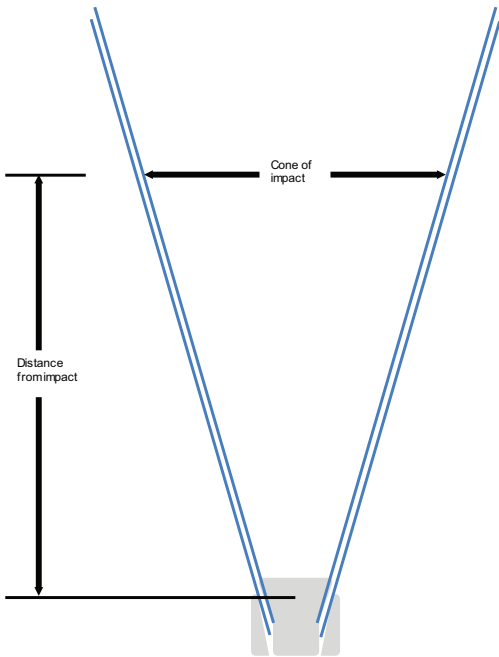
Flow Rate



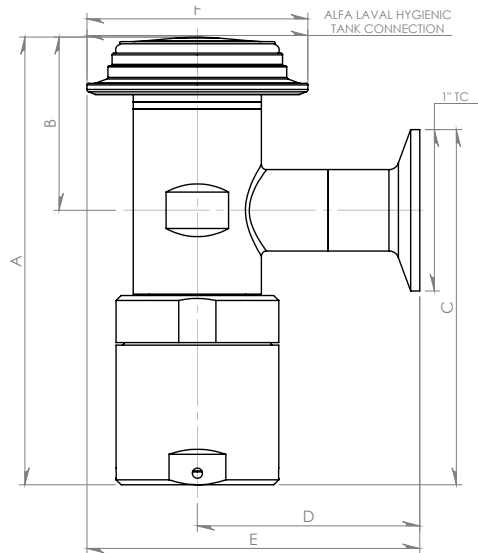
Impact vs. Pressure



Cone of Impact



Dimensions



Cone of Impact Dimensions

Distance from target	21mm/1"	51mm/2"	102mm/4"	125mm/6"	305mm/12"	457mm/1.5'	610mm/2'	914mm/3'	1219mm/4'	1254mm/5'	1828mm/6'
Diameter	64mm/2.5"	102mm/4"	139mm/5.5"	139mm/5.5"	178mm/7"	379mm/11"	318mm/12.5"	432mm/17"	622mm/2.5'	889mm/35"	914mm/3'

Dimensions

	A	B	C	D	E	F
mm	140	53	112	68	104	68
in	5.5	2.1	4.4	2.7	4.1	2.7

Alfa Laval reserves the right to change specifications without prior notification.

How to contact Alfa Laval
 Up-to-date Alfa Laval contact
 details for all countries are
 always available on our website
 at www.alfalaval.com