

Model 92

Temporary strainers

- 2" to 24"
- Flanged
- Stainless steel or MONEL®



Basket type



Cone type

Features

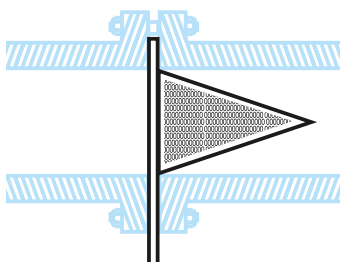
- ANSI classes 150, 300 and 600
- Perforations from 1/32" to 1/2" diameter
- Mesh liners of 20, 40, 60, 80 and 100 (best with basket type strainers)
- Stainless steel or MONEL® construction

Options

- Alloy construction, RTJ-style connections

Designed for use in

- New pipeline start-up service
- Line flushing after any modification work



Cone type temporary strainer is shown bolted between two pipe flanges

Dimensions (in/mm) Model 92 cone type

Pipe size	A class 150	A class 300	A class 600	B	C
2	3.88 / 99	3.88 / 99	4.13 / 105	1.75 / 44	6.0 / 152
2 1/2	4.63 / 118	4.63 / 118	4.88 / 124	2.25 / 57	7.0 / 178
3	5.13 / 130	5.13 / 130	5.63 / 143	2.75 / 70	9.0 / 229
4	6.63 / 168	6.63 / 168	6.88 / 175	3.50 / 89	12.0 / 305
5	7.50 / 191	7.50 / 191	9.25 / 235	4.63 / 118	14.0 / 356
6	8.50 / 216	8.50 / 216	10.25 / 260	5.50 / 140	17.0 / 432
8	10.75 / 273	10.75 / 273	12.38 / 314	7.13 / 181	23.0 / 584
10	12.13 / 308	13.13 / 334	15.50 / 394	9.00 / 229	27.0 / 686
12	15.88 / 403	15.88 / 403	17.38 / 441	10.88 / 276	32.0 / 813
14	17.50 / 445	17.50 / 445	19.13 / 486	12.63 / 321	33.0 / 838
16	20.00 / 508	20.00 / 508	22.00 / 559	14.50 / 368	39.0 / 991
18	21.38 / 543	21.38 / 543	23.88 / 607	16.38 / 416	44.0 / 1,118
20	23.63 / 600	23.63 / 600	26.63 / 676	18.38 / 467	49.0 / 1,245
24	28.00 / 711	28.00 / 711	30.88 / 784	20.38 / 518	58.0 / 1,473

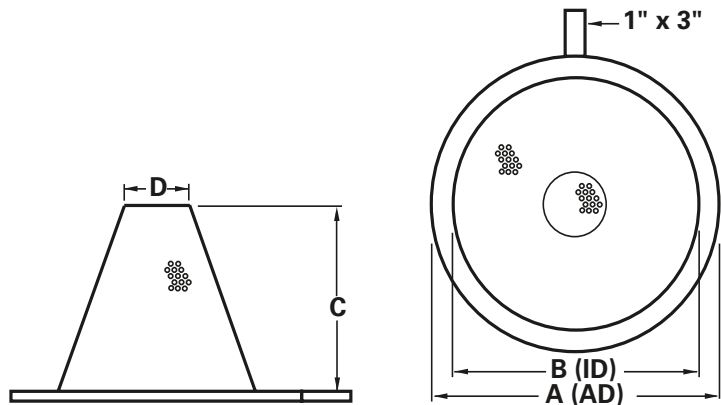
Dimensions (in/mm) Model 92 basket type

Pipe size	A class 150	A class 300	A class 600	B	C	D
2	3.88 / 99	3.88 / 99	4.13 / 105	1.75 / 44	3.5 / 89	1.0 / 25
2 1/2	4.63 / 118	4.63 / 118	4.88 / 124	2.25 / 57	4.0 / 102	1.0 / 25
3	5.13 / 130	5.13 / 130	5.63 / 143	2.75 / 70	4.5 / 114	1.0 / 25
4	6.63 / 168	6.63 / 168	6.88 / 175	3.50 / 89	6.0 / 152	2.0 / 51
5	7.50 / 191	7.50 / 191	9.25 / 235	4.63 / 118	7.5 / 191	2.0 / 51
6	8.50 / 216	8.50 / 216	10.25 / 260	5.50 / 140	9.0 / 229	2.0 / 51
8	10.75 / 273	10.75 / 273	12.38 / 314	7.13 / 181	12.0 / 305	2.0 / 51
10	13.13 / 334	13.13 / 334	15.50 / 394	9.00 / 229	14.0 / 356	3.0 / 76
12	15.88 / 403	15.88 / 403	17.38 / 441	10.88 / 276	16.5 / 419	3.0 / 76
14	17.50 / 445	17.50 / 445	19.13 / 486	12.63 / 321	17.0 / 432	4.0 / 102
16	20.00 / 508	20.00 / 508	22.00 / 559	14.50 / 368	19.0 / 483	4.0 / 102
18	21.38 / 543	21.38 / 543	23.88 / 607	16.38 / 416	21.0 / 533	6.0 / 152
20	23.63 / 600	23.63 / 600	26.63 / 676	18.38 / 467	24.0 / 610	6.0 / 152
24	28.00 / 711	28.00 / 711	30.88 / 784	22.38 / 568	28.0 / 711	10.0 / 254

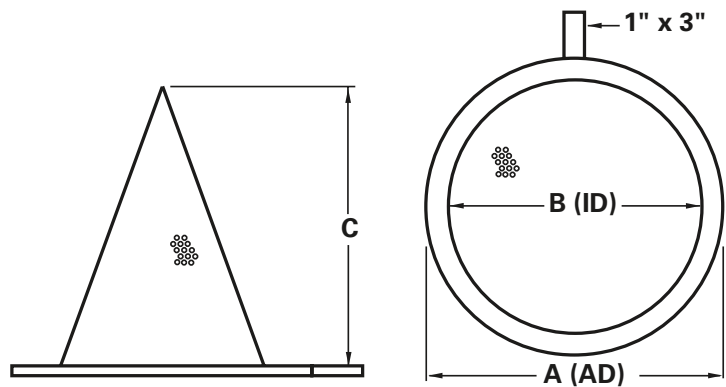


Powering Business Worldwide

Model 92 Basket Type



Model 92 Cone Type



North America
 44 Apple Street
 Tinton Falls, NJ 07724
 Toll Free: 800 656-3344
 (North America only)
 Tel: +1 732 212-4700

Europe/Africa/Middle East
 Auf der Heide 2
 53947 Nettersheim, Germany
 Tel: +49 2486 809-0

Friedensstraße 41
 68804 Altlußheim, Germany
 Tel: +49 6205 2094-0
 An den Nahewiesen 24
 55450 Langenlonsheim, Germany
 Tel: +49 6704 204-0

China
 No. 3, Lane 280,
 Linhong Road
 Changning District, 200335
 Shanghai, P.R. China
 Tel: +86 21 5200-0099

Singapore
 100G Pasir Panjang Road #07-08
 Singapore 118523
 Tel: +65 6825-1668

Brazil
 Av. Ermanno Marchetti, 1435 -
 Água Branca, São Paulo - SP,
 05038-001, Brasil
 Tel: +55 11 3616-8461

**For more information, please
 email us at filtration@eaton.com
 or visit www.eaton.com/filtration**

© 2020 Eaton. All rights reserved. All trademarks and registered trademarks are the property of their respective owners. All information and recommendations appearing in this brochure concerning the use of products described herein are based on tests believed to be reliable. However, it is the user's responsibility to determine the suitability for his own use of such products. Since the actual use by others is beyond our control, no guarantee, expressed or implied, is made by Eaton as to the effects of such use or the results to be obtained. Eaton assumes no liability arising out of the use by others of such products. Nor is the information herein to be construed as absolutely complete, since additional information may be necessary or desirable when particular or exceptional conditions or circumstances exist or because of applicable laws or government regulations.

US
 EF-SSEA-15
 10-2020