

# Model 510



- Sizes 8" to 36"
- Iron or carbon steel
- Flanged

## Features

- Four baskets per strainer
- Bolted cover
- Straight through flow design
- Compact
- Threaded drain
- Perforated or mesh 316 stainless steel basket
- Low profile for easy basket removal

## Options

- Basket perforations from 1/32" to 1/2"
- Basket mesh of 20, 40 or 60
- MONEL® baskets
- Drain valves
- Gauge taps - 1/4" NPT
- Basket flange gaskets
- Cover lift davit
- Stainless steel construction
- Magnetic basket inserts
- Pressure differential gauges and switches



## For large size piping systems with flow rates up to 40,000 GPM (9,000 m<sup>3</sup>/h)

The Eaton Model 510 simplex strainer is unlike other large size simplex strainers because of its multi-basket design. Four strainer baskets strain the process media and give the strainer an extremely high dirt-holding capacity—an important consideration in larger size strainers that, because of their size and design, take longer for basket cleaning or changeout. The longer the strainer stays in service between cleaning, the less expensive its total operating costs.

## Reduced pressure loss

To reduce the pressure loss to an absolute minimum, the Model 510 has a straight through flow configuration, made possible by a unique basket design that incorporates a slanted top.

## Multi-basket design

The use of four baskets, rather than one or two, helps to keep operating costs low because the size of each basket can be smaller. This means that cleaning is a one-person job, eliminating the need for additional operators or lifting tackle to pull the baskets out of the strainer housing.

To make this job even faster and easier, the Model 510 has an optional cover lifting davit. The operator can raise the strainer cover and swing it out of the way for access to the strainer baskets. The four-basket design of the Model 510 provides an additional benefit as well: the centerline to bottom and centerline to top dimensions of the strainer are very short—creating a low-profile design ideally suited for installation in cramped quarters.

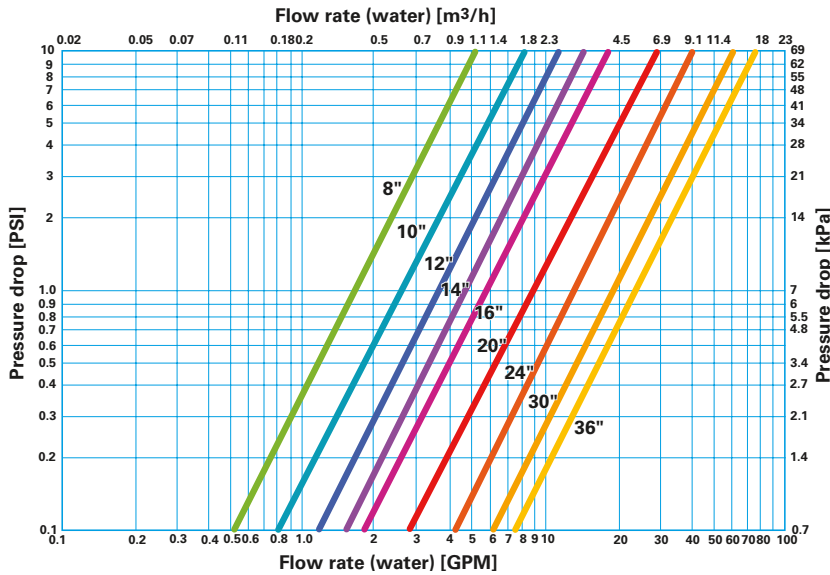
For large size piping systems with high flow rates, the Model 510 offers significant advantages over ordinary large size strainers, advantages that will improve performance and reduce operating costs over the life of the strainer.

MONEL® is a registered trademark of Special Metals Corporation group of Companies.

# EATON

Powering Business Worldwide

# Model 510 Multi-Basket Strainer



## Selection chart

Size	Material	End connections	Gasket	Pressure rating*
8" to 24"	Iron	Flanged 125#	Non-asbestos	125 psi (8.6 bar)
30" to 36"	Iron	Flanged 125#	Non-asbestos	70 psi (4.8 bar)
8" to 24"	Carbon steel	Flanged 150#	Non-asbestos	150 psi (10.3 bar)
8" to 16"	Carbon steel	Flanged 300#	Non-asbestos	300 psi (20.7 bar)

\* @ 100 °F (38 °C)

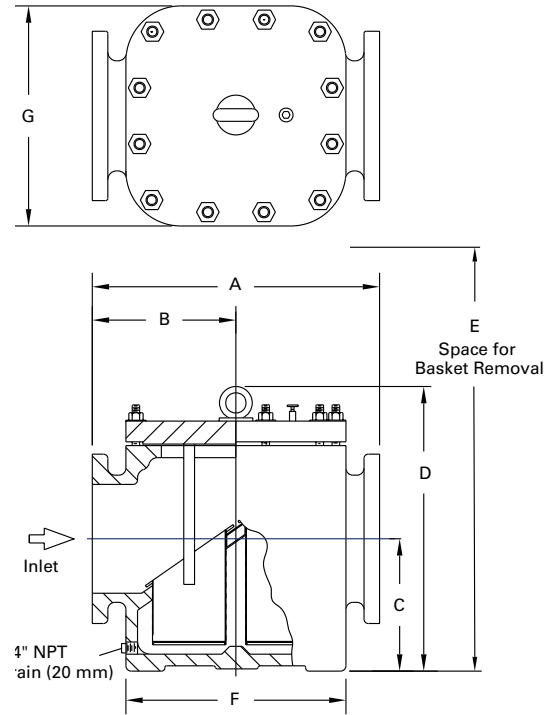
## C<sub>v</sub> factors\*

Size	Value	Size	Value	Size	Value
8"	1600	14"	4800	24"	13000
10"	2500	16"	5800	30"	19000
12"	3500	20"	9000	36"	23000*

\*For water with clean, perforated basket

## Dimensions (in/mm)

Pipe size	A	B	C	D	E	F	G	---Dry wt (lb / kg) -----	
								Iron	Carbon steel
8	23.25 / 591	11.63 / 295	9.13 / 232	20.13 / 511	38 / 965	18.00 / 457	18.50 / 470	547 / 249	547 / 249
10	26.13 / 664	13.06 / 332	11.38 / 289	23.75 / 603	44 / 1118	20.25 / 514	21.00 / 533	730 / 332	730 / 332
12	29.00 / 737	14.50 / 368	14.63 / 372	28.38 / 721	52 / 1321	22.25 / 565	22.75 / 578	1080 / 491	1080 / 491
14	30.50 / 775	15.25 / 387	16.75 / 425	31.25 / 794	60 / 1524	24.63 / 626	25.13 / 638	1360 / 618	1360 / 618
16	33.50 / 851	16.75 / 425	19.13 / 486	35.50 / 902	66 / 1676	27.13 / 689	27.75 / 705	1750 / 795	1750 / 795
20	44.75 / 1137	22.00 / 559	28.50 / 724	46.25 / 1175	88 / 2235	32.75 / 832	34.75 / 883	3330 / 1514	3330 / 1514
24	44.38 / 1127	22.19 / 564	31.50 / 800	52.25 / 1327	98 / 2489	36.63 / 930	38.50 / 978	4550 / 2068	4550 / 2068
30	61.50 / 1562	30.75 / 781	41.63 / 1057	66.50 / 1689	125 / 3175	47.50 / 1207	47.50 / 1207	8880 / 4036	8880 / 4036
36	62.00 / 1575	31.00 / 787	41.63 / 1057	66.50 / 1689	125 / 3175	47.50 / 1207	47.50 / 1207	9700 / 4409	9700 / 4409



MODEL 510 SIMPLEX STRAINER

Dimensions and weights are for reference only. Contact Eaton for certified drawings.

**North America**  
44 Apple Street  
Tinton Falls, NJ 07724  
Toll Free: 800 656-3344  
(North America only)  
Tel: +1 732 212-4700

**Europe/Africa/Middle East**  
Auf der Heide 2  
53947 Nettersheim, Germany  
Tel: +49 2486 809-0

Friedensstraße 41  
68804 Altlufsheim, Germany  
Tel: +49 6205 2094-0

An den Nahewiesen 24  
55450 Langenlonsheim, Germany  
Tel: +49 6704 204-0

**China**  
No. 3, Lane 280,  
Linhong Road  
Changning District, 200335  
Shanghai, P.R. China  
Tel: +86 21 5200-0099

**Singapore**  
100G Pasir Panjang Road #07-08  
Singapore 118523  
Tel: +65 6825-1668

**Brazil**  
Av. Ermano Marchetti, 1435 -  
Água Branca, São Paulo - SP,  
05038-001, Brasil  
Tel: +55 11 3616-8461

For more information, please  
email us at [filtration@eaton.com](mailto:filtration@eaton.com)  
or visit [www.eaton.com/filtration](http://www.eaton.com/filtration)

© 2020 Eaton. All rights reserved. All trademarks and registered trademarks are the property of their respective owners. All information and recommendations appearing in this brochure concerning the use of products described herein are based on tests believed to be reliable. However, it is the user's responsibility to determine the suitability for his own use of such products. Since the actual use by others is beyond our control, no guarantee, expressed or implied, is made by Eaton as to the effects of such use or the results to be obtained. Eaton assumes no liability arising out of the use by others of such products. Nor is the information herein to be construed as absolutely complete, since additional information may be necessary or desirable when particular or exceptional conditions or circumstances exist or because of applicable laws or government regulations.

US  
EF-SSEA-1  
10-2020